

Western Pacific Products, Inc.

Anything In Or On Your Tank – Ready to Ship

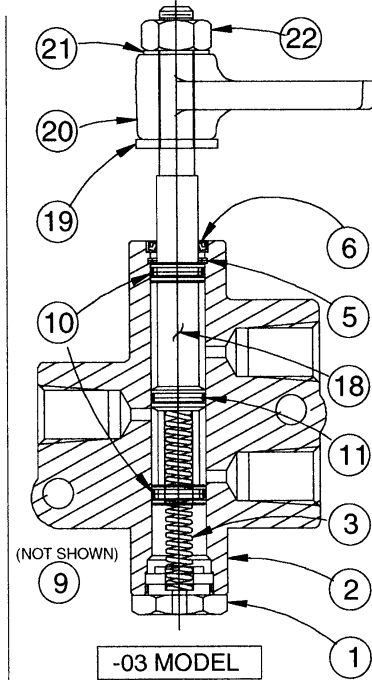
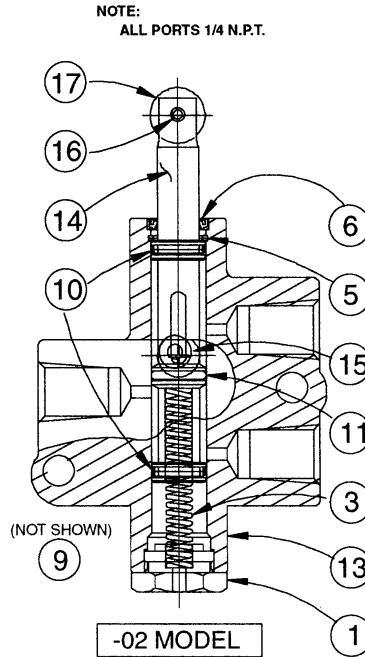
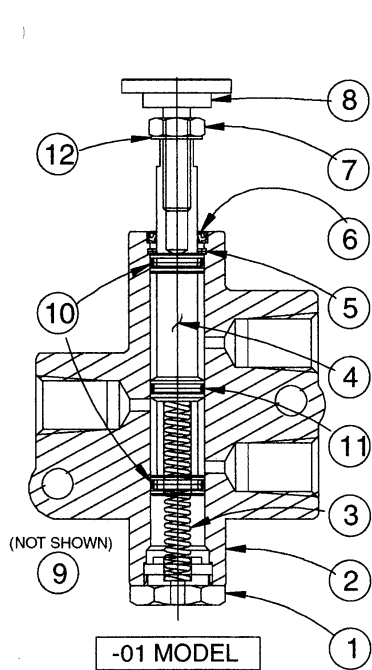
Over 8,000 Part Numbers – Over 26,000 Square Feet of Warehouse – We Ship Worldwide

PARTS LIST

880-150-01 AIR INTERLOCK VALVE

880-150-02 AIR INTERLOCK VALVE, ROLLER TIP

880-150-03 AIR INTERLOCK VALVE, OFFSET ACTUATOR



ITEM	NAME	PART NUMBER	PART NO.		
			-01	-02	-03
1	PLUG -NUT	880-145-01	1	1	1
2	BODY AIR VALVE	880-323-01	1	0	1
3	SPRING	880-148-01	1	1	1
4	SPOOL & O-RING ASS'Y	880-171-01	1	0	0
5	RETAINING RING	11090-04	1	1	1
6	DUST SEAL	880-142-01	1	1	1
7	NUT -1/4-20 HEX JAM	11021-03	1	0	0
8	SCREW ADJUSTER 1.0	880-144-01	1	0	0
9	SCREW 1/4-20 x 1.75 HEX HD.	11063-07	2	2	2
10	O-RING	11134-01	2	2	2
11	O-RING	11134-02	1	1	1
12	WASHER - 1/4 INT. LOCK	11163-04	1	0	0
13	BODY - AIR VALVE, ROLLER TIP	880-323-02	0	1	0
14	SPOOL & O-RING ASS'Y, ROLLER TIP	880-171-02	0	1	0
15	SCREW 6-32 x .62 (SELF SEALING)	11477-01	0	1	0
16	ROLLPIN	11004-08	0	1	0
17	ROLLER	881-119-01	0	1	0
18	SPOOL & O-RING ASS'Y	881-122-01	0	0	1
19	WASHER 5/16 PLAIN S.S.	11275-06	0	0	1
20	ACTUATOR - OFFSET	881-120-01	0	0	1
21	WASHER 5/16 INT. LOCK	11163-05	0	0	1
22	NUT 5/16-18 HEX	11179-05	0	0	1

- 880-150-01**
Service Kit- 90012
Includes:
(1) Item 3 (1) Item 6
(1) Item 4 (1) Item 7
(1) Item 5 (1) Item 8
(1) Item 2
- 880-150-02**
Service Kit- 90055
Includes:
(1) Item 3 (1) Item 14
(1) Item 5 (1) Item 15
(1) Item 6 (1) Item 16
(1) Item 17
- 880-150-03**
Service Kit- 90056
Includes:
(1) Item 3 (1) Item 19
(1) Item 5 (1) Item 20
(1) Item 6 (1) Item 21
(1) Item 18 (1) Item 22

800-677-3711

Signal Hill, (L.A.) CA

(562) 490-0030 • Fax (562) 490-0091

West Sacramento, CA

(916) 371-1622 • Fax (916) 371-4792

Dallas/Fort Worth, TX

(817) 740-8077 • (817) 740-1332

Portland, OR

(503) 221-0335 • Fax (503) 221-0911

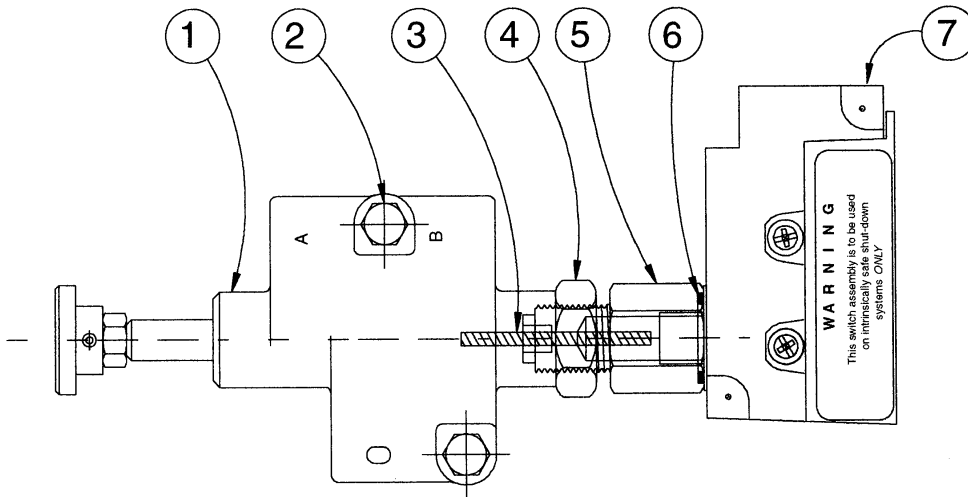
www.tankparts.com

Western Pacific Products, Inc.

Anything In Or On Your Tank – Ready to Ship

Over 8,000 Part Numbers – Over 26,000 Square Feet of Warehouse – We Ship Worldwide

880-155-01 Air Interlock with Limit Switch - Parts List



Item	Name	Quantity	Part #
1	AIR VALVE ASS'Y	1	881-156-01
2	SCREW 1/4-20 x 1 1/2" HEX HD.	2	11063-07
3	ROD-ACTUATOR	1	880-154-01
* 4	NUT-HEX JAM	1	11021-04
* 5	ADAPTER -VALVE TO SWITCH	1	881-155-01
6	O-RING	1	11003-25
7	LIMIT SWITCH	1	11219-02

* These items are components of Air Valve Ass'y 881-156-01.

NOTE:

SERVICE KIT FOR AIR VALVE (881-156-01) IS 90012-01.

NOTE:

Meets A.P.I. RP-1004
Requirements Spec.

800-677-3711

Signal Hill, (L.A.) CA

(562) 490-0030 • Fax (562) 490-0091

West Sacramento, CA

(916) 371-1622 • Fax (916) 371-4792

Dallas/Fort Worth, TX

(817) 740-8077 • (817) 740-1332

Portland, OR

(503) 221-0335 • Fax (503) 221-0911

www.tankparts.com

Western Pacific Products, Inc.

Anything In Or On Your Tank – Ready to Ship

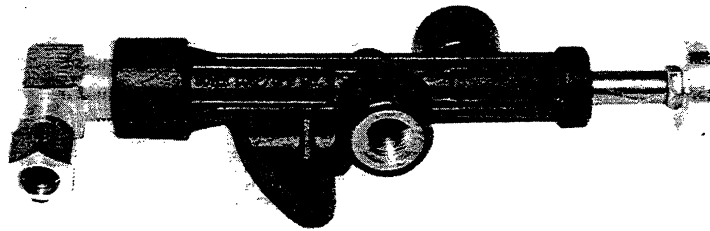
Over 8,000 Part Numbers – Over 26,000 Square Feet of Warehouse – We Ship Worldwide

Product Delivery Equipment

OPW 865-C Air Interlock Valve

OPW Fluid Handling Group has introduced an improved Air Interlock Valve for use with bottom loading operations. The redesigned OPW 865-C (patent pending) Air Interlock Valve can be installed for normally open or closed service.

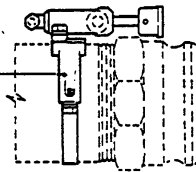
When installed on the bottom loading adaptor, it can be used to lock the trailer brakes and/or facilitate vent operation.



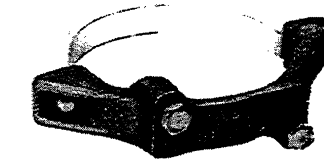
Product Features

- New main shaft sealing design eliminates seal or valve failure previously caused by seals sliding across air ports.
- Corrosion resistant, high impact "DURATUFF"™ body with brass threaded inserts.
- Main shaft wiper seal will prevent contaminants from entering the sealing area.
- 50% lighter in weight than the old style.
- Adjustable shaft height.
- Mounting holes and shaft actuation meet all standardized API and TTMA specifications.

OPW 865-K
VALVE MTG.
BRACKET



The OPW 865-K Air Valve Mounting Bracket is used in conjunction with the OPW 865-C Interlock Valve and is mounted on the vapor recovery line of the transport. Available in 3" and 4" sizes.



865 - K - 0057 3"

865 - K - 0058 4"

800-677-3711

Signal Hill, (L.A.) CA

(562) 490-0030 • Fax (562) 490-0091

West Sacramento, CA

(916) 371-1622 • Fax (916) 371-4792

Dallas/Fort Worth, TX

(817) 740-8077 • (817) 740-1332

Portland, OR

(503) 221-0335 • Fax (503) 221-0911

www.tankparts.com

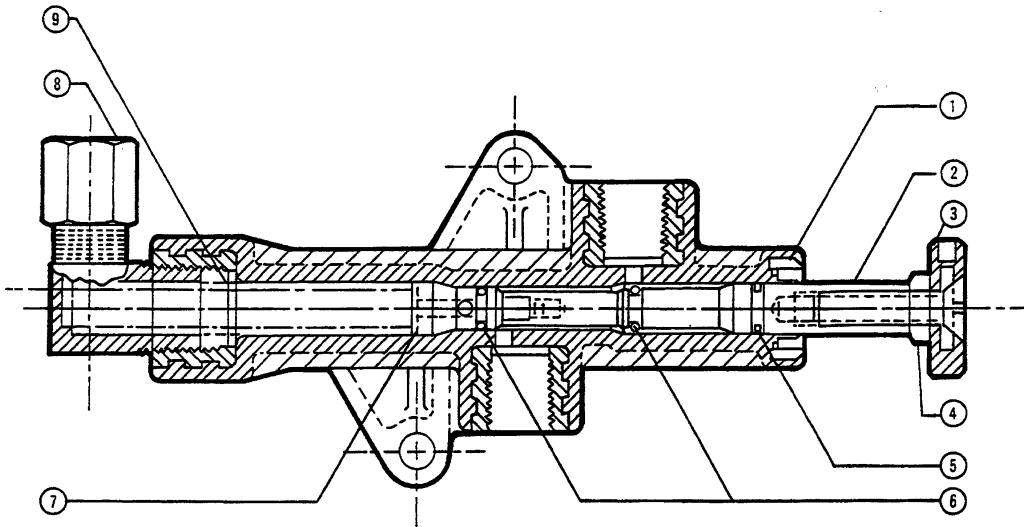
Western Pacific Products, Inc.

Anything In Or On Your Tank – Ready to Ship

Over 8,000 Part Numbers – Over 26,000 Square Feet of Warehouse – We Ship Worldwide

OPW 865-C

KEY	PART NO.	DESCRIPTION
1	H-20015-M	Wiper Seal
2	H-20019-RB	Stem
3	H-20016	Stem Adjuster S/A
4	H-500-M	Nut
5	H-20085-M	O-Ring
6	H-20084-M	O-Ring (2)
7	H-20014-RB	Stem Retainer
8	H-20022-M	90° Male Elbow
9	H-20023-M	Spring



800-677-3711

Signal Hill, (L.A.) CA

(562) 490-0030 • Fax (562) 490-0091

West Sacramento, CA

(916) 371-1622 • Fax (916) 371-4792

Dallas/Fort Worth, TX

(817) 740-8077 • (817) 740-1332

Portland, OR

(503) 221-0335 • Fax (503) 221-0911

www.tankparts.com

Western Pacific Products, Inc.

Anything In Or On Your Tank – Ready to Ship

Over 8,000 Part Numbers – Over 26,000 Square Feet of Warehouse – We Ship Worldwide

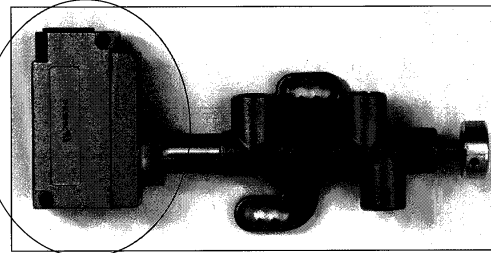
F527 & F532 Air Interlock Valve & Limit Switch

EMCO WHEATON™

API ACCESSORIES

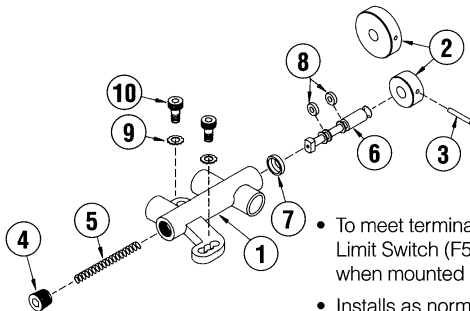
FEATURES AND BENEFITS

- One-piece bronze forging with 100% stainless steel internal components.
- Provides ability to set trailer brakes, and open pneumatic emergency valves or vapor vent valves.

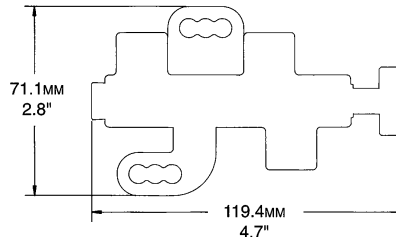


F532 limit switch

F527 shown with F532



- To meet terminal safety requirements Limit Switch (F532) can be added when mounted on a vapor adapter.
- Installs as normally "open" or normally "closed" valve.



DESCRIPTION AND PART NUMBERS

PART NUMBER	DESCRIPTION	WEIGHT
F527-002	Standard Valve with 1" Button	.85 lbs - .39 kg
F527-003	Standard Valve with 1 1/2" Button	.85 lbs - .39 kg
F532-001	Limit Switch	

REF	DESCRIPTION	PART # F527-002	PART # F527-003	REQ'D	MATERIAL
1	Body, Machined	565737	565737	1	Brass
2	Button	409983	565904	1	Aluminum
3	Roll Pin	470061	470061	1	Stainless Steel
4	Pipe Plug	577100	577100	1	Brass
5	Compression Spring	409749	409749	1	Stainless Steel
6	Operating Shaft	565738	565738	1	Stainless Steel
7	Rod Wiper	560085	560085	1	Buna
8	O-rings	566306	566306	2	Buna
9	Lockwashers	403107	403107	2	Stainless Steel
10	Screws	563550	563550	2	Stainless Steel
	O-ring	577101	577101	1	Buna

EMCO WHEATON™
Another Symbol of Emco Wheaton Quality

800-677-3711

Signal Hill, (L.A.) CA

(562) 490-0030 • Fax (562) 490-0091

West Sacramento, CA

(916) 371-1622 • Fax (916) 371-4792

Dallas/Fort Worth, TX

(817) 740-8077 • (817) 740-1332

Portland, OR

(503) 221-0335 • Fax (503) 221-0911

www.tankparts.com

Western Pacific Products, Inc.

Anything In Or On Your Tank – Ready to Ship

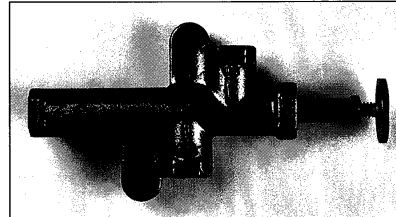
Over 8,000 Part Numbers – Over 26,000 Square Feet of Warehouse – We Ship Worldwide

F537 Air Interlock Valve

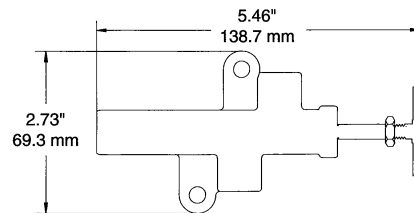
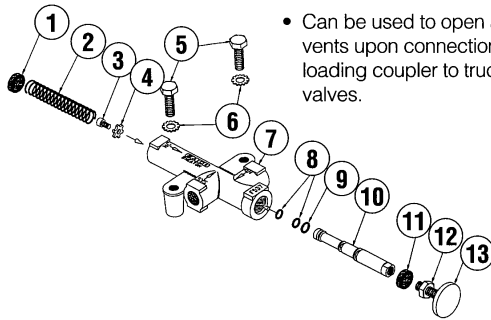
EMCO WHEATON™

FEATURES AND BENEFITS

- Bronze forged body.
- 100% stainless steel components.
- Clean, straight through design minimizes tubing bends and connection leaks.
- Adjustable contact pad and shaft accommodates competitive APIs and other applications.
- Installed as normally closed or open valve.
- Can be used to open air-operated vents upon connection of API terminal loading coupler to truck/trailer API valves.



API ACCESSORIES



DESCRIPTION AND PART NUMBERS

PART NUMBER	DESCRIPTION	WEIGHT
F537-004	Standard Valve, 1" Button	.75 bs - .34 kg
F537-005	Standard Valve, 1 1/2" Button (565652)	.75 bs - .34 kg
F537-006	Standard Valve, Butterfly Button (615455)	.75 bs - .34 kg

REF	DESCRIPTION	PART # F537-004	REQ'D	MATERIAL
1	Adjustment Screw	577769	1	Steel/Zinc
2	Spring	409749	1	Stainless Steel
3	Cap Screw	298545	1	Steel/Zinc
4	Slotted Washer	298542	1	Stainless Steel
5	Mounting Screws	566297	2	Stainless Steel
6	Lock Washers	403107	2	Stainless Steel
7	Valve Body	577766	1	Bronze
8	O-rings	577782	2	EP
9	O-ring	577783	1	EP
10	Stem	298394	1	Stainless Steel
11	Wiper Ring	560085	1	Buna
12	Hex Lock Nut	470040	1	Stainless Steel
13	Contact Pad Assy	298541	1	Stainless Steel

EMCO WHEATON™
Another Symbol of Emco Wheaton Quality

800-677-3711

Signal Hill, (L.A.) CA
(562) 490-0030 • Fax (562) 490-0091

West Sacramento, CA
(916) 371-1622 • Fax (916) 371-4792

Dallas/Fort Worth, TX
(817) 740-8077 • (817) 740-1332

Portland, OR
(503) 221-0335 • Fax (503) 221-0911

www.tankparts.com