

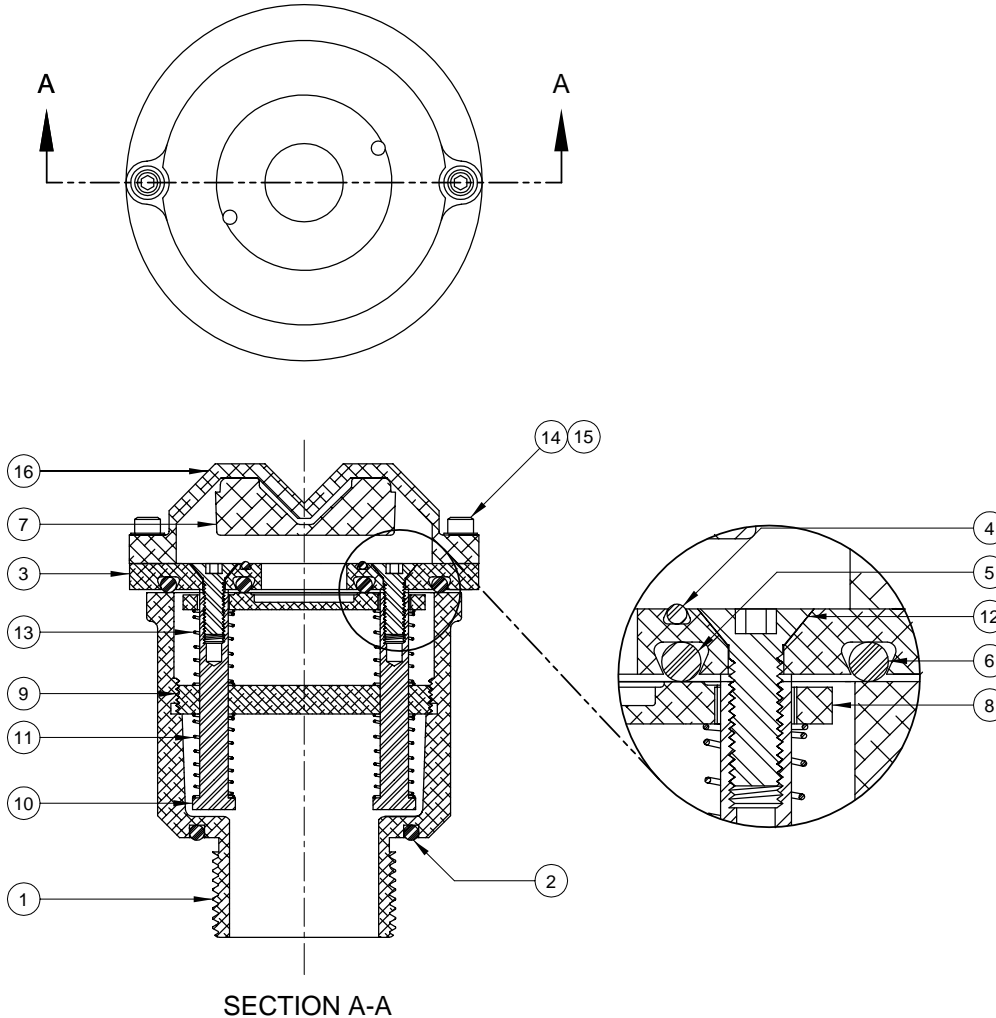
Western Pacific Products, Inc.

Anything In Or On Your Tank – Ready to Ship

Over 8,000 Part Numbers – Over 26,000 Square Feet of Warehouse – We Ship Worldwide

Rev. 0, January 2003

NV2001 PRESSURE VACUUM VENT



ITEM	PART NUMBER	DESCRIPTION	QTY.
1	6470	BODY	1
2	6479	O-RING (BUNA) ¹	1
3	6471	VACUUM DISC	1
4	9427	O-RING (VITON)	1
5	9428	O-RING (VITON)	1
6	9429	O-RING (VITON)	1
7	6461	VALVE SHUTOFF	1
8	6478	PRESSURE DISC	1

ITEM	PART NUMBER	DESCRIPTION	QTY.
9	6474	RETAINER	1
10	6464	STUD	2
11	6466	VACUUM SPRING	2
12	7040	SCREW (FLAT HEAD)	2
13	9717	PRESSURE SPRING	2
14	9718	SCREW (SOCKET HEAD)	2
15	9719	LOCK WASHER	2
16	9892	CARRIER	1

1 - Also available in Viton - P/N 4324

CIVACON™

800-677-3711

Signal Hill, (L.A.) CA

(562) 490-0030 • Fax (562) 490-0091

West Sacramento, CA

(916) 371-1622 • Fax (916) 371-4792

Dallas/Fort Worth, TX

(817) 740-8077 • (817) 740-1332

Portland, OR

(503) 221-0335 • Fax (503) 221-0911

www.tankparts.com

1-178

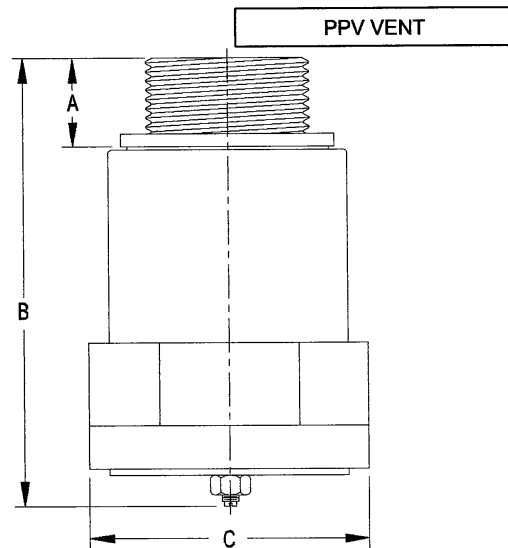
Western Pacific Products, Inc.

Anything In Or On Your Tank – Ready to Ship

Over 8,000 Part Numbers – Over 26,000 Square Feet of Warehouse – We Ship Worldwide



A normal vent developed for use on tank vehicles equipped for vapor recovery. Greater opening pressure, within D.O.T. limits for MC-306 tank, are provided on the pressure and vacuum relief for more efficient recovery of vapors during closed system loading and off-loading. The vent is provided with 6-ounce vacuum setting as standard. The vent has been flow tested and marked. NOTE: This vent will not provide sufficient venting for product discharge.

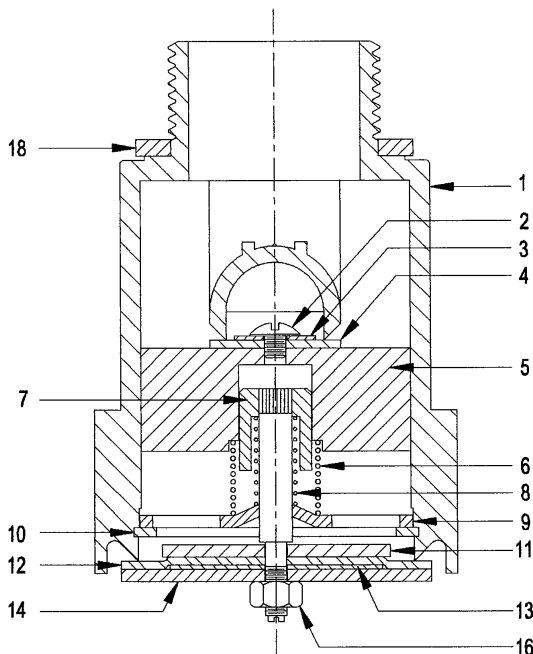


	Thru Area	Capacity
Inbreathing	1.25 sq. in.	3350 cu. ft. hr. @ 1 PSIG
Outbreathing	0.44 sq. in.	1750 cu. ft. hr. @ 3 PSIG

* Note: Unique design retains product at any attitude of rollover.

Material			Thread Size	Dimensions			Wt.	Symbol*	Assembly No.
Body	Disc	Trim		A	B	C			
Aluminum	Buna	316 Stnls.	1 ⁵ / ₈ -12	7/ ₈	4 ⁷ / ₁₆	2 ³ / ₄	1.2LB.	FVA	6238AL

* Note: Symbols are used ONLY in connection with COMPLETE MANHOLE ASSEMBLIES.



PARTS LIST

No.	Req.	Part No.	Description
1	1	6253AL	Body
2	1	9Q8216	#8-32 Truss Hd. Mach. Screw
3	1	3645NY	Pressure Disc Retainer Washer
4	1	3644BN	Pressure Disc
5	1	3640SL	Roll-Over Guide Block
6	1	3725SL	Pressure Relief Spring
7	1	3643SL	Spring Collar Assembly
8	1	3653SL	Vacuum Relief Spring
9	1	3649AL	Retainer Plate
10	1	9Q8206	Retaining Ring
11	1	3647AL	Vacuum Disc Retainer Washer
12	1	3646BN	Vacuum Disc
13	1	3675NY	Vacuum Spacer Washer
14	1	3648AL	Vacuum Disc Support & Rating Plate
16	1	9Q8220	Hex. Nut with Nylon insert #8-32 Thd.
18	1	3716BN	Buna Washer

Repair Kit No. 3795RK * (Specify Disc Material)

Betts™ INDUSTRIES, INC.
WARREN, PA.

800-677-3711

Signal Hill, (L.A.) CA
(562) 490-0030 • Fax (562) 490-0091

West Sacramento, CA
(916) 371-1622 • Fax (916) 371-4792

Dallas/Fort Worth, TX
(817) 740-8077 • (817) 740-1332

Portland, OR
(503) 221-0335 • Fax (503) 221-0911

www.tankparts.com

1-179

Western Pacific Products, Inc.

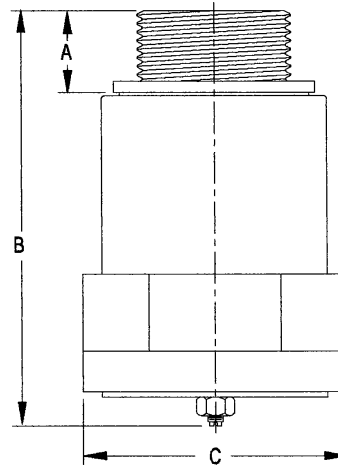
Anything In Or On Your Tank – Ready to Ship

Over 8,000 Part Numbers – Over 26,000 Square Feet of Warehouse – We Ship Worldwide

TONA®

A normal vent designed for use on DOT406 cargo tanks. The pressure setting of "no less than 1 PSIG" per 178.346-10 (2) and a vacuum setting of 6 oz. Allow for efficient recovery of vapors during closed system loading and off-loading. Vent is flow tested and marked. NOTE: This vent will not provide sufficient venting for product discharge.

PPV VENT
FOR DOT406 TANKS

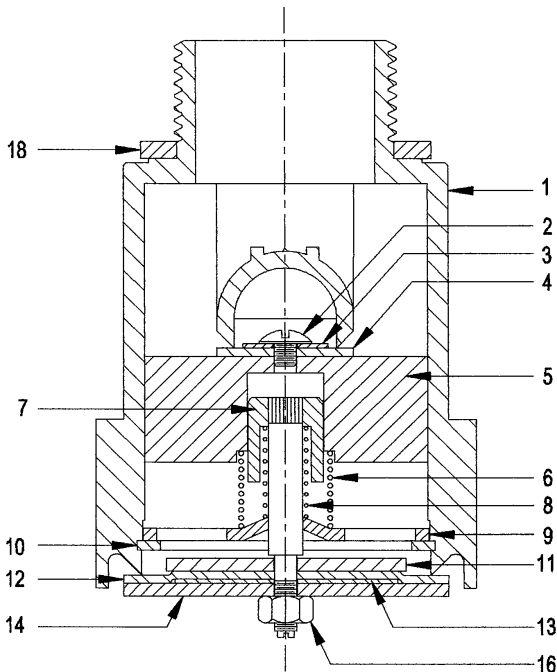


	Thru Area	Capacity
Inbreathing	1.25 sq. in.	3350 cu. ft. hr. @ 1 PSIG
Outbreathing	0.44 sq. in.	1200 cu. ft. hr. @ 3 PSIG

* Note: Unique design retains product at any attitude of rollover.

Material			Thread Size	Dimensions			Wt.	Symbol*	Assembly No.
Body	Disc	Trim		A	B	C			
Aluminum	Buna	316 Stnls.	1 ⁵ / ₈ -12	7 ⁷ / ₈	4 ⁷ / ₁₆	2 ³ / ₄	1.2LB.	PPV	6496AL

* Note: Symbols are used ONLY in connection with COMPLETE MANHOLE ASSEMBLIES.



PARTS LIST

No.	Req.	Part No.	Description
1	1	6253AL	Body
2	1	9Q8216	#8-32 Truss Hd. Mach. Screw
3	1	3645NY	Pressure Disc Retainer Washer
4	1	3644BN	Pressure Disc
5	1	3640SL	Roll-Over Guide Block
6	1	3812SL	Pressure Relief Spring
7	1	3643SL	Spring Collar Assembly
8	1	3653SL	Vacuum Relief Spring
9	1	3649AL	Retainer Plate
10	1	9Q8206	Retaining Ring
11	1	3647AL	Vacuum Disc Retainer Washer
12	1	3646BN	Vacuum Disc
13	1	3675NY	Vacuum Spacer Washer
14	1	3969AL	Vacuum Disc Support & Rating Plate
16	1	9Q8220	Hex. Nut with Nylon insert #8-32 Thd.
18	1	3716BN	Buna Washer

Betts™
INDUSTRIES, INC.
WARREN, PA.

800-677-3711

Signal Hill, (L.A.) CA

(562) 490-0030 • Fax (562) 490-0091

West Sacramento, CA

(916) 371-1622 • Fax (916) 371-4792

Dallas/Fort Worth, TX

(817) 740-8077 • (817) 740-1332

Portland, OR

(503) 221-0335 • Fax (503) 221-0911

www.tankparts.com

1-180