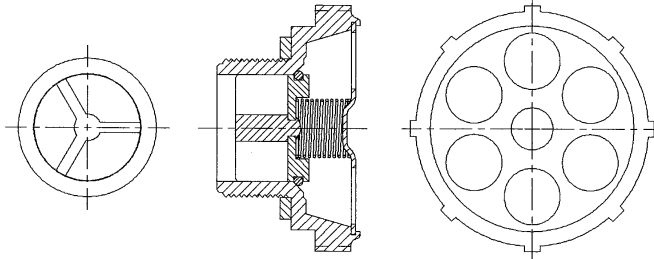


Western Pacific Products, Inc.

Anything In Or On Your Tank – Ready to Ship

Over 8,000 Part Numbers – Over 26,000 Square Feet of Warehouse – We Ship Worldwide

INBREATHING VENT – 1⁵/₈-12 THD.



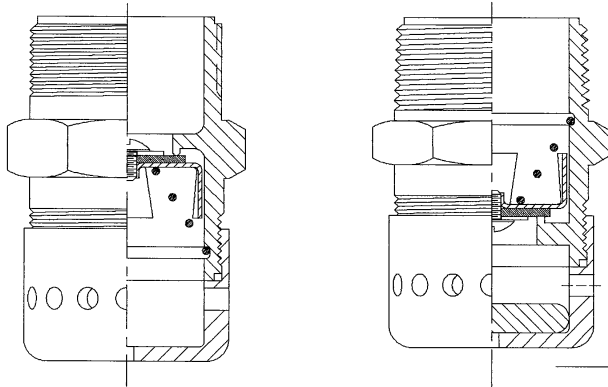
Designed to supplement the 6238AL vent to provide additional inbreathing capacity when required. This vent may be used singly or in multiples according to requirements.

NOTE: While this vent does provide additional inbreathing capacity, it is recommended that positive vents, which will open with the emergency valve, be provided when discharging product with the manhole closed.

	Thru Area	Capacity at 1 PSIG
Inbreathing	1.00 sq. in.	4000 cu. ft. hr.

Material			Thread Size	A	Wt.	Assembly No.
Body & O-Ring Holder	O-Ring	Spring				
Aluminum	Viton	Stnls. 316	1 ⁵ / ₈ -12	1 ¹¹ / ₁₆	4.5 oz.	6234AL

COMBINATION VENT PACKAGE



VENT PACKAGE

Combination Vent Packages, consisting of Tiona's all new single-purpose vents, are available for all combination manholes with fill. Each vent provides 0.44 sq. in. of venting area. They are easily cleaned, have high capacity, and are available in a variety of materials. These vents have been flow tested and marked in accordance with Nat. Fire Protection Assn. No. 385 (1964) Par. 2263 and No. 407 (1964) Par. 616.

	Thru Area	Capacity
Inbreathing	0.44 sq. in.	1750 cu. ft. hr. @ 1 PSIG
Outbreathing	0.44 sq. in.	3285 cu. ft. hr. @ 3 PSIG

Material	Combination Vent Package Includes	Wt.	Symbol
Aluminum	1-No. 3006 Intake Vent with 1 ⁵ / ₈ -12 Thread	7.5 oz.	CVA
	1-No. 3008 Exhaust Vent with 1 ¹ / ₄ I.P.S. Thread		
Stnls. 316	1-No. 3052 Threaded Opening and Weatherhood	19.3 oz.	CVD

Betts[™]
INDUSTRIES, INC.
WARREN, PA.

800-677-3711

Signal Hill, (L.A.) CA

(562) 490-0030 • Fax (562) 490-0091

West Sacramento, CA

(916) 371-1622 • Fax (916) 371-4792

Dallas/Fort Worth, TX

(817) 740-8077 • (817) 740-1332

Portland, OR

(503) 221-0335 • Fax (503) 221-0911

www.tankparts.com

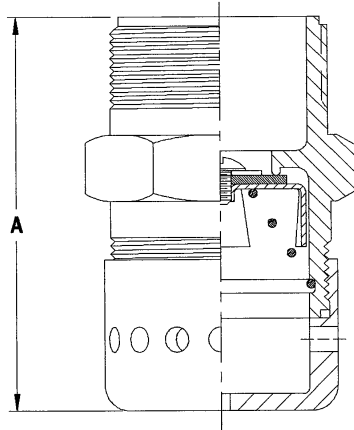
2-27

Western Pacific Products, Inc.

Anything In Or On Your Tank – Ready to Ship

Over 8,000 Part Numbers – Over 26,000 Square Feet of Warehouse – We Ship Worldwide

INBREATHING VENT – 1⁵/₈-12 THD.



S.P. INBREATHING 1⁵/₈-12

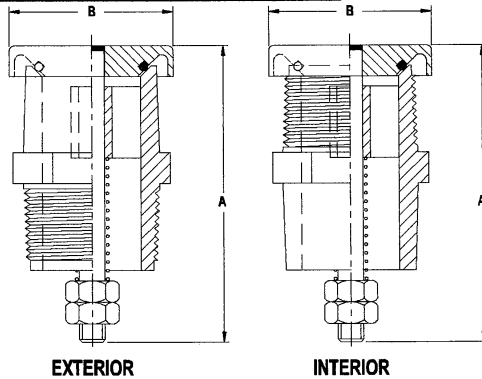
This vent is to be used with Exhaust Vent No. 3008, as shown on Page 87-1. Vent is installed under fill cover; protected from weather and damage. Vent is easily cleaned and available in a variety of material.

This vent has been flow tested and marked in accordance with Nat. Fire Protection Assn. No. 385 (1964) Par. 2263 and No. 407 (1964) Par. 616.

	Thru Area	Capacity at 1 PSIG
Inbreathing	0.44 sq. in.	1750 cu. ft. hr.

Material			Thread Size	A	Wt.	Symbol	Assembly No.
Body	Spring	Disc					
Alum.	Stnls. 316	Viton	1 ⁵ / ₈ -12	2 ¹⁵ / ₁₆	3.0 oz.	SPA	3006-ALV
Stnls. 316	Stnls. 316	Viton			7.7 oz.	SPS	3006-SSV

PAV-125 EMERGENCY VENT



This Pressure-Actuated Vent is rated at 10,000 cubic feet of air per hour at 5 PSIG. It is designed to provide the pressure-actuated emergency venting as required by DOT MC-306, NFPA No. 385, and No. 407. This model may be installed from the tank exterior in such devices as manhole covers or pipe caps. The PAV 125 has been flow tested and marked in accordance with DOT MC-306 Par. 178.341-4(e), NFPA 385 Par. 2263, and NFPA 407 Par. 616.

RATED CAPACITY @ 5 PSIG-10,000 cu. ft. hr.

NOTE: To provide a proper load on disc, spring should be loaded to length of 1⁵/₈ inches.

Material			Thread Size	Dimensions		Wt.	Assembly No.	
Body	Disc	Trim		A	B			
Aluminum Stnls. 316	Viton	Stnls. 316	1 ¹ / ₄ I.P.S.	3 ³ / ₄	2	8 oz.	Interior	3350-ALV
						18 oz.		3350-SSV
Aluminum Stnls.316	Viton	Stnls. 316	1 ¹ / ₄ I.P.S.	3 ³ / ₄	2	8 oz.	Exterior	3338-ALV
						18 oz.		3338-SSV

Betts™
INDUSTRIES, INC.
WARREN, PA.

800-677-3711

Signal Hill, (L.A.) CA

(562) 490-0030 • Fax (562) 490-0091

West Sacramento, CA

(916) 371-1622 • Fax (916) 371-4792

Dallas/Fort Worth, TX

(817) 740-8077 • (817) 740-1332

Portland, OR

(503) 221-0335 • Fax (503) 221-0911

www.tankparts.com

Western Pacific Products, Inc.

Anything In Or On Your Tank – Ready to Ship

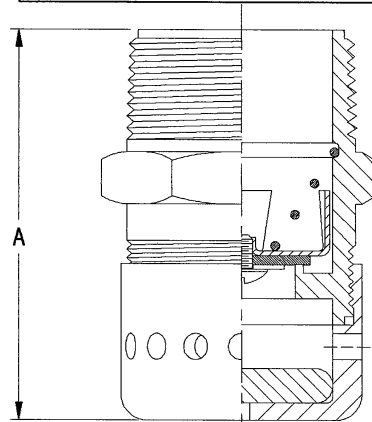
Over 8,000 Part Numbers – Over 26,000 Square Feet of Warehouse – We Ship Worldwide



S.P. OUTBREATHING 1 1/4 I.P.S.
 The all new Single- Purpose Vents offer many advantages for use where ease of cleaning is important or where additional venting is required. May be installed singly or in multiples. This vent has been flow tested and marked in accordance with Nat. Fire Protection Assn. No. 385 (1964) Par. 2263 and No. 407 (1964) Par. 616.

	Thru Area	Capacity at 3 PSIG
Outbreathing	0.44 sq. in.	3285 cu. ft. hr.
Overturn Protection	Flat Disc	

OUTBREATHING VENT WITH OVERTURN DISC

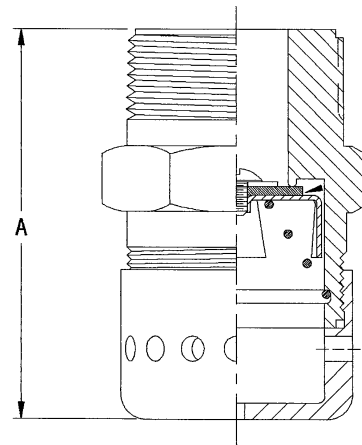


Material			Thread Size- Right Hand	A	Wt.	Assembly No.
Body	Overturn Disc & Spring	Disc				
Alum.	Stnls. 316	Viton	1 1/4 I.P.S.	2 13/16	4.5 oz.	3008-ALV
Stnls. 316	Stnls. 316	Viton			11.6 oz.	3008-SSV

S.P. INBREATHING 1 1/4 I.P.S.
 Intake Vent is designed to be used with Exhaust Vent or for additional venting requirements. High capacity, ease of cleaning, few parts are outstanding features. Vents are installed inside manhole cover and protected by means of a weatherhood. This vent has been flow tested and marked in accordance with Nat. Fire Protection Assn. No. 385 (1964) Par. 2263 and No. 407 (1964) Par. 616.

	Thru Area	Capacity at 1 PSIG
Inbreathing	0.44 sq. in.	1750 cu. ft. hr.

INBREATHING VENT – 1 1/4 I.P.S.



Material			Thread Size- Left Hand	A	Wt.	Assembly No.
Body	Spring	Disc				
Alum.	Stnls. 316	Viton	1 1/4 I.P.S.	2 13/16	3.0 oz.	3010-ALV
Stnls. 316	Stnls. 316	Viton			7.7 oz.	3010-SSV

Betts[™]
INDUSTRIES, INC.
WARREN, PA.

800-677-3711

Signal Hill, (L.A.) CA

(562) 490-0030 • Fax (562) 490-0091

West Sacramento, CA

(916) 371-1622 • Fax (916) 371-4792

Dallas/Fort Worth, TX

(817) 740-8077 • (817) 740-1332

Portland, OR

(503) 221-0335 • Fax (503) 221-0911

www.tankparts.com

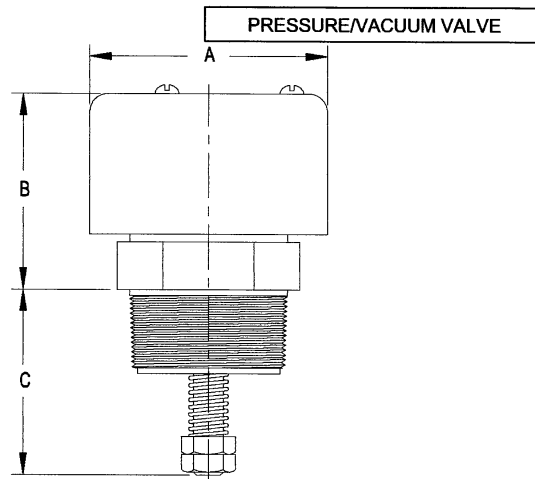
Western Pacific Products, Inc.

Anything In Or On Your Tank – Ready to Ship

Over 8,000 Part Numbers – Over 26,000 Square Feet of Warehouse – We Ship Worldwide



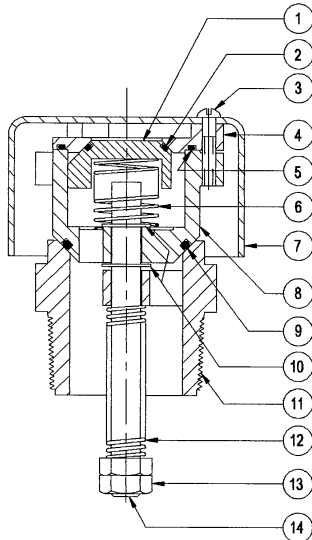
The all new pressure/vacuum valve is designed to provide the pressure relief and inbreathing needed for many types of containers. Valves are available with various pressure settings and are flow tested and marked.



	Thru Area	Set Pressure	1 PSIG	1.5 PSIG	2 PSIG	5 PSIG	7 PSIG	9 PSIG
Inbreathing	.44 sq. in.	3 oz.	1350 cfh	1800 cfh	2200 cfh	NA	NA	NA
Outbreathing	.80 sq. in.	3 PSIG	NA	NA	NA	13,750 cfh	16,250 cfh	18,200 cfh
		* 5 PSIG	NA	NA	NA	NA	15,500 cfh	17,800 cfh

* For Valve with 5 PSIG setting add: suffix 239 to Assembly No.

Material			Thread Size	Dimensions			Wt.	Assembly No.
Body	Vac. Disc	Seals		A	B	C		
316 Stnls.	Teflon	Viton	1 1/4 NPT	2 1/4	2 1/4	1 3/4	19oz.	6460SSV *



PARTS LIST

No.	Req.	Part No.	Description
1	1	3922TG	Vacuum Valve
2	1	3926VT	O-Ring
3	3	9Q5842	#6-32 Rd. Hd. Mach. Screw
4	1	3923SS	Vacuum Valve Retainer
5	1	3943VT	O-Ring
6	1	3933SS	Spring
7	1	3925SS	Cap
8	1	3921SS	Pressure Valve
9	1	3357VT	O-Ring
10	2	9Q4957	Retaining Rings
11	1	3920SS	Body
12	1	3307SS	Spring-3# Setting
12a	1	3558SS	Spring-5# Setting
13	2	9Q5859	5/16-18UNC-3B Hex. Nut
14	1	3924SS	Stem

Betts™
INDUSTRIES, INC.
WARREN, PA.

800-677-3711

Signal Hill, (L.A.) CA

(562) 490-0030 • Fax (562) 490-0091

West Sacramento, CA

(916) 371-1622 • Fax (916) 371-4792

Dallas/Fort Worth, TX

(817) 740-8077 • (817) 740-1332

Portland, OR

(503) 221-0335 • Fax (503) 221-0911

www.tankparts.com