

# Western Pacific Products, Inc.

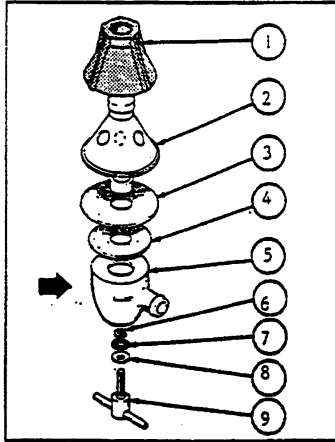
*Anything In Or On Your Tank – Ready to Ship*

*Over 8,000 Part Numbers – Over 26,000 Square Feet of Warehouse – We Ship Worldwide*

## Heil/Butler Aeration System

### 1 PORT ASSY.

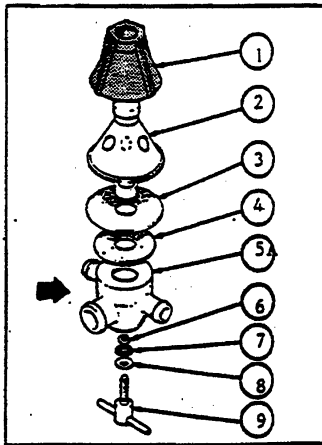
077-P901617



REF. NO.	PART NO.	DESCRIPTION
1	022-P903261	AERATION CONE (blue)
2	258-P910210	AERATION CASTING
3	022-P910213	CASTING GASKET (blue)
4	022-P315731	MANIFOLD GASKET
5	258-P315724	1 PORT MANIFOLD
5A	258-P315730	3 PORT MANIFOLD
6	047-P310277	E. CLIP
7	022-P315726	HANDLE GASKET
8	047-P310275	WAVE WASHER
9	112-P315737	TEE HANDLE (s/s)

### 3 PORT ASSY.

077-P901616



**800-677-3711**

Signal Hill, (L.A.) CA

(562) 490-0030 • Fax (562) 490-0091

West Sacramento, CA

(916) 371-1622 • Fax (916) 371-4792

Dallas/Fort Worth, TX

(817) 740-8077 • (817) 740-1332

Portland, OR

(503) 221-0335 • Fax (503) 221-0911

[www.tankparts.com](http://www.tankparts.com)

# Western Pacific Products, Inc.

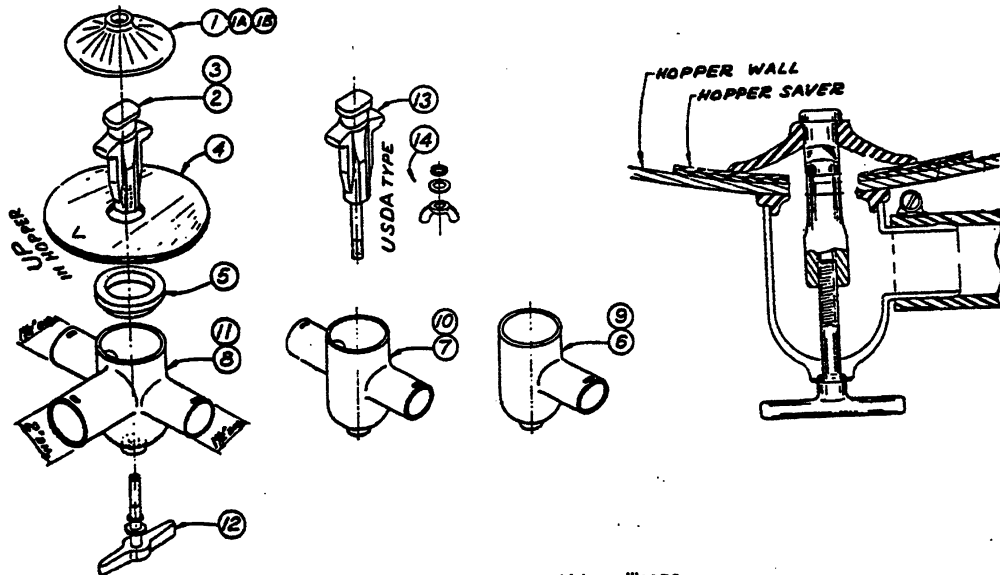
*Anything In Or On Your Tank – Ready to Ship*

*Over 8,000 Part Numbers – Over 26,000 Square Feet of Warehouse – We Ship Worldwide*



## Aeration System

**ELIMINATES BACKFLOW**



- |    |      |                                   |
|----|------|-----------------------------------|
| 1  | 4124 | Disk, standard blue silicone      |
| 1A | 4134 | Disk, natural silicone            |
| 1B | 4144 | Disk, white neoprene              |
| 2  | 4125 | Stem, standard                    |
| 3  | 4135 | Stem-s.s. insert                  |
| 4  | 4126 | Hopper saver-s.s.                 |
| 5  | 4127 | Manifold gasket                   |
| 6  | 4121 | Manifold, standard grey, 1-port   |
| 7  | 4122 | Manifold, standard grey, 2-port   |
| 8  | 4123 | Manifold, standard grey, 3-port   |
| 9  | 4621 | Manifold, clear-view, 1-port      |
| 10 | 4622 | Manifold, clear-view, 2-port      |
| 11 | 4623 | Manifold, clear-view, 3-port      |
| 12 | 4129 | Tee-handle with washer and O-ring |
| 13 | 4145 | Stem-USDA style                   |
| 14 | 4128 | Wing nut with washer and O-ring   |

**800-677-3711**

Signal Hill, (L.A.) CA

(562) 490-0030 • Fax (562) 490-0091

West Sacramento, CA

(916) 371-1622 • Fax (916) 371-4792

Dallas/Fort Worth, TX

(817) 740-8077 • (817) 740-1332

Portland, OR

(503) 221-0335 • Fax (503) 221-0911

[www.tankparts.com](http://www.tankparts.com)

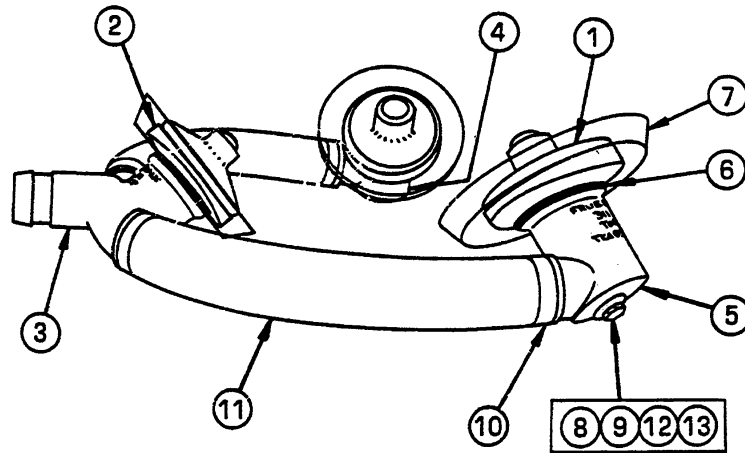
3-65

# Western Pacific Products, Inc.

*Anything In Or On Your Tank – Ready to Ship*

*Over 8,000 Part Numbers – Over 26,000 Square Feet of Warehouse – We Ship Worldwide*

## Fruehauf 311 Aeration System



	Part	Part Number
①	(3) Rubber Disc	V-KA 9341 AB
②	(3) Aerator Nozzle	T-KA 9333 - F
③	(1) Aluminum Cross—2" O.D. Inlet	T-KA 9344
④	(1) R.H. Aluminum Elbow—1½" O.D. Inlet	T-KA 9345
⑤	(1) L.H. Aluminum Elbow—1½" O.D. Inlet	T-KA 9346
⑥	(3) 2" I.D. Gasket	T-KA 9347-1
⑦	(3) Deflector Gaskets	T-KA 9523
⑧	(3) ¾" — 16 x 3¼" LG. S.S. Bolts	Z-KA 9648
⑨	(3) Stainless Steel Spring Washer	Z-KA 9638
⑩	(4) Stainless Steel Hose Clamps	T-KA 0697
⑪	(2) 1½" Hose x 16½" long	V-KA 9629
⑫	(3) ¾" I.D. Neoprene "O" Ring	V-KA 9639
⑬	Loctite #290	M-KA 9649

**800-677-3711**

**Signal Hill, (L.A.) CA**

(562) 490-0030 • Fax (562) 490-0091

**West Sacramento, CA**

(916) 371-1622 • Fax (916) 371-4792

**Dallas/Fort Worth, TX**

(817) 740-8077 • (817) 740-1332

**Portland, OR**

(503) 221-0335 • Fax (503) 221-0911

[www.tankparts.com](http://www.tankparts.com)

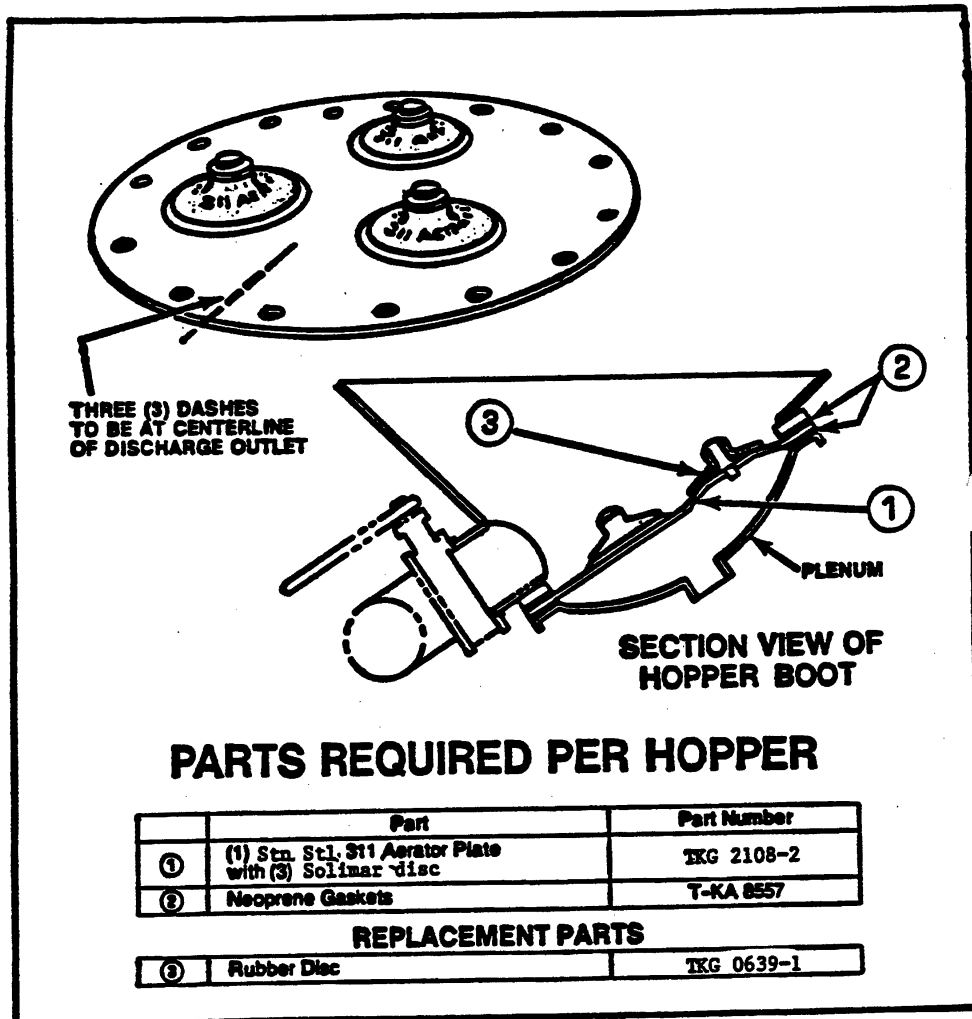
3-66

# Western Pacific Products, Inc.

*Anything In Or On Your Tank – Ready to Ship*

*Over 8,000 Part Numbers – Over 26,000 Square Feet of Warehouse – We Ship Worldwide*

## Fruehauf 311 Aeration Plate (REPLACES 19 5/8 AERATION PAD #TKA8808)



OLD PART # TKG-2108-2  
NEW PART # 5050

### 800-677-3711

Signal Hill, (L.A.) CA

(562) 490-0030 • Fax (562) 490-0091

West Sacramento, CA

(916) 371-1622 • Fax (916) 371-4792

Dallas/Fort Worth, TX

(817) 740-8077 • (817) 740-1332

Portland, OR

(503) 221-0335 • Fax (503) 221-0911

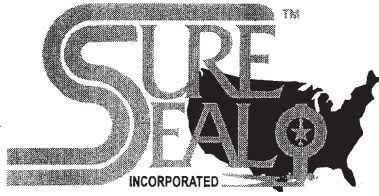
[www.tankparts.com](http://www.tankparts.com)

3-67

# Western Pacific Products, Inc.

*Anything In Or On Your Tank – Ready to Ship*

*Over 8,000 Part Numbers – Over 26,000 Square Feet of Warehouse – We Ship Worldwide*

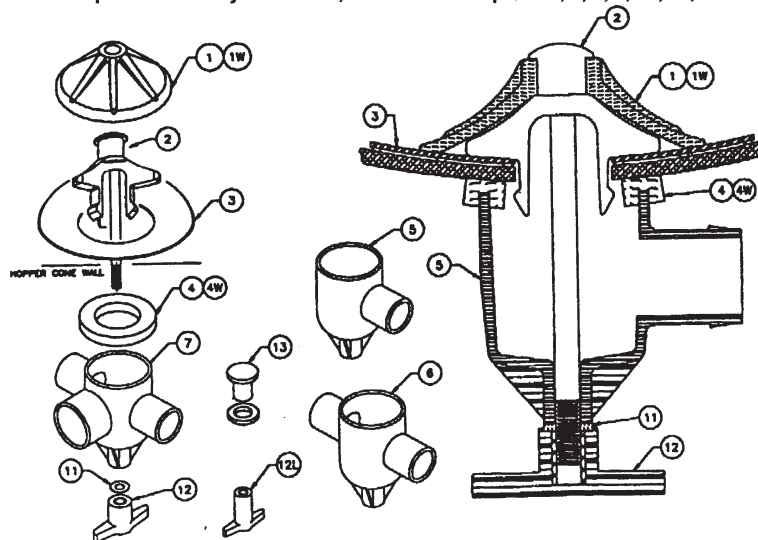


## SURE SEAL INC.

Completely made and assembled in the U.S.A.

### SURE FLO AERATOR SYSTEM

ITEM	PART #	DESCRIPTION	LIST PRICE
1	A104	Rubber Aerator, blue silicone-food grade .....	
1W	AW104	Rubber Aerator, white silicone-food grade .....	
2	A105	Aerator Housing, grey with stainless stem .....	
3	A107	Aerator Stainless Steel Wear Plate, clear silicone .....	
4	A108	Aerator Port Housing Gasket, blue silicone-food grade .....	
4W	AW108	Aerator Port Housing Gasket, white silicone-food grade .....	
5	A111	Aerator Port Housint, 1-port grey .....	
6	A112	Aerator Port Housing, 2-port grey .....	
7	A113	Aerator Port Housing, 3-port grey .....	
8	A111C	Aerator Port Housing, 1-port Sure View, clear .....	
9	A112C	Aerator Port Housing, 2-port Sure View, clear .....	
10	A113C	Aerator Port Housing, 3-port Sure View, clear .....	
11	A115	Aerator Tee Handle Gasket .....	
12	A110	Aerator External Tee Handle, for use with Sure Flo, Solimar and Fruehauf Port Housings .....	
12L	A110L	Aerator External Tee Handle, for use with Heil and Polar Port Housings .....	
13	A116	Hopper Plug w/gasket .....	
	A99	Inside Aerator Assembly 1,2 .....	
	A100	Inside Aerator Assembly with wearplate 1, 2, 3 .....	
	A121	1-Port Complete Assembly Grey 1, 2, 4, 5, 11, 12 .....	
	A122	2-Port Complete Assembly Grey, 1, 2, 4, 6, 11, 12 .....	
	A123	3-Port Complete Assembly Grey, 1, 2, 4, 7, 11, 12 .....	
	A101	1-Port Complete Assembly Grey with wearplate 1, 2, 3, 4, 5, 11, 12 .....	
	A102	2-Port Complete Assembly Grey with wearplate 1, 2, 3, 4, 6, 11, 12 .....	
	A103	3-Port Complete Assembly Grey with wearplate 1, 2, 3, 4, 7, 11, 12 .....	
	A121C	1-Port Complete Assembly Sure View, clear 1, 2, 4, 8, 11, 12 .....	
	A122C	2-Port Complete Assembly Sure View, clear 1, 2, 4, 9, 11, 12 .....	
	A123C	3-Port Complete Assembly Sure View, clear 1, 2, 4, 10, 11, 12 .....	
	A101C	1-Port Complete Assembly Sure View, clear with wearplate 1, 2, 3, 4, 8, 11, 12 .....	
	A102C	2-Port Complete Assembly Sure View, clear with wearplate 1, 2, 3, 4, 9, 11, 12 .....	
	A103C	3-Port Complete Assembly Sure View, clear with wearplate 1, 2, 3, 4, 10, 11, 12 .....	



**800-677-3711**

**Signal Hill, (L.A.) CA**

(562) 490-0030 • Fax (562) 490-0091

**West Sacramento, CA**

(916) 371-1622 • Fax (916) 371-4792

**Dallas/Fort Worth, TX**

(817) 740-8077 • (817) 740-1332

**Portland, OR**

(503) 221-0335 • Fax (503) 221-0911

[www.tankparts.com](http://www.tankparts.com)

**3-68**

# Western Pacific Products, Inc.

*Anything In Or On Your Tank – Ready to Ship*

*Over 8,000 Part Numbers – Over 26,000 Square Feet of Warehouse – We Ship Worldwide*



## SURE SEAL INC.

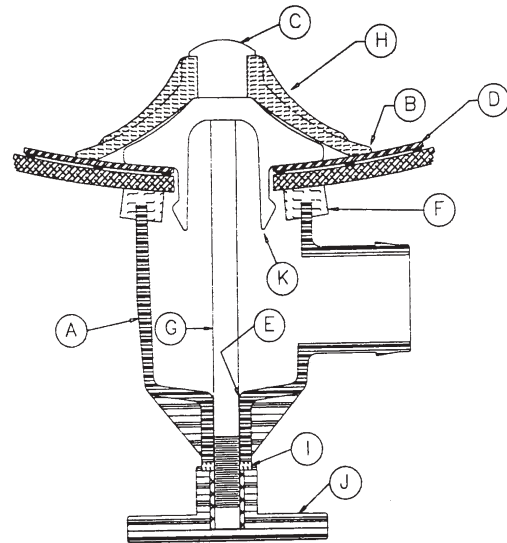
Completely made and assembled in the U.S.A.

### INSTALLATION INSTRUCTIONS

#### INSIDE HOPPER INSTALLATION

1. The installer should first make sure all the aerators that he will be installing have the rubbers (H) installed on the aerator housings (C).
2. Make sure the installer takes with him into the hopper everything he needs, such as complete inside aerator assemblies (C)(H) and stainless steel wear plates where needed (D).
3. Start in one hopper and install the necessary aerators in that particular hopper by first sticking the stem (G) in through the 1 1/2" hole in the hopper wall, then snap the retention legs (K) through the hopper wall. After all the aerators have been installed in this hopper proceed to the next.
4. If stainless steel wear plates (D) are to be installed, they should go in before the aerators with the (UP) pointing up and with the rubber O-ring on wear plate sealing against the hopper.
5. When you are changing or replacing aerators with Sure Flo aerators, the installer needs to make sure the wall of the hopper is clean of all product where the aerators set. This area should be cleaned with a wire brush or scraper.

#### SURE FLO AERATION SYSTEM



#### OUTSIDE HOPPER INSTALLATION

1. The outside aerator port housings (A) should be installed one at a time. First by putting the aerator port housing gasket (F) on the port housing (A).
2. Next slide the aerator port housing stem (G) through the aerator alignment tube (E) in the outside port housing (A).
3. Place the aerator T-handle gasket (I) into the indentation at the top of the T-handle (J).
4. Thread the T-handle (J) with the T-handle gasket (I) in place onto the aerator housing stem (G) and tighten by hand.
5. Install all necessary air hoses.

- A. AERATOR PORT HOUSING
- B. O-RING SEAL OF THE AERATOR RUBBER
- C. AERATOR HOUSING
- D. STAINLESS STEEL WEAR PLATE
- E. AERATOR ALIGNMENT TUBE
- F. AERATOR PORT HOUSING GASKET
- G. AERATOR HOUSING STEM
- H. RUBBER AERATOR
- I. AERATOR T-HANDLE GASKET
- J. AERATOR T-HANDLE
- K. SNAP THRU RETENTION LEGS

## 800-677-3711

Signal Hill, (L.A.) CA

(562) 490-0030 • Fax (562) 490-0091

West Sacramento, CA

(916) 371-1622 • Fax (916) 371-4792

Dallas/Fort Worth, TX

(817) 740-8077 • (817) 740-1332

Portland, OR

(503) 221-0335 • Fax (503) 221-0911

[www.tankparts.com](http://www.tankparts.com)

3-69

# Western Pacific Products, Inc.

*Anything In Or On Your Tank – Ready to Ship*

*Over 8,000 Part Numbers – Over 26,000 Square Feet of Warehouse – We Ship Worldwide*



## SURE SEAL INC.

*Completely made and assembled in the U.S.A.*

### SURE FLO AERATOR PLATES

<u>ITEM</u>	<u>PART NUMBER</u>	<u>DESCRIPTION</u>	<u>LIST PRICE</u>
1	A322	Neoprene Gasket 20" O.D.	
2	AS3200	20" Stainless Steel Aerator Plate 16" I.D. (Includes 3 Aerator rubbers)	
3	A3200	20" Carbon Steel Aerator Plate 16" I.D. (Includes 3 Aerator rubbers)	
4	A310U	Neoprene Gasket-Upper Thickness 1/4" 13" O.D., 9 3/4" I.D.	
5	A310B	Neoprene Gasket-Lower Thickness 1/8" 13" O.D., 9 3/4" I.D.	
6	A3100	10" Carbon Steel Aerator Plate 13" O.D. (Includes 1 Aerator rubber)	
7	AS3100	10" Stainless Steel Aerator Plate 13" O.D. (Includes 1 Aerator rubber)	
8	A104	Sure Flo Aerator Rubber (Blue)	

Item	Description	Fruehauf	Solimar	Sure Seal
1	Neoprene Gasket 20" O.D.	TKA 8557	5012	A322
2	20" Stainless Steel Aerator Plate 16" I.D. (Includes 3 Aerator rubbers)	TKG 2108-2	5050	AS3200
3	20" Carbon Steel Aerator Plate 16" I.D. (Includes 3 Aerator rubbers)	TKG 2108-4	5052	A3200
4	Neoprene Gasket-Upper Thickness 1/4" 13" O.D., 9 3/4" I.D.	VKA 8375	5018	A310U
5	Neoprene Gasket-Lower Thickness 1/8" 13" O.D., 9 3/4" I.D.	VKA 7421	5017	A310B
6	10" Carbon Steel Aerator Plate 13" O.D. (Includes 1 Aerator rubber)	TKG 2108-3	5053	A3100
7	10" Stainless Steel Aerator Plate 13" O.D. (Includes 1 Aerator rubber)	TKG 2108-1	5051	AS3100
8	Sure Flo Aerator Rubber (Blue)	TKG 0639-1	4124	A104

### 800-677-3711

**Signal Hill, (L.A.) CA**

(562) 490-0030 • Fax (562) 490-0091

**West Sacramento, CA**

(916) 371-1622 • Fax (916) 371-4792

**Dallas/Fort Worth, TX**

(817) 740-8077 • (817) 740-1332

**Portland, OR**

(503) 221-0335 • Fax (503) 221-0911

[www.tankparts.com](http://www.tankparts.com)

3-70