

Western Pacific Products, Inc.

Anything In Or On Your Tank – Ready to Ship

Over 8,000 Part Numbers – Over 26,000 Square Feet of Warehouse – We Ship Worldwide

Replacement Part Number and Description 500 Series Transportation Valves 2"-12"

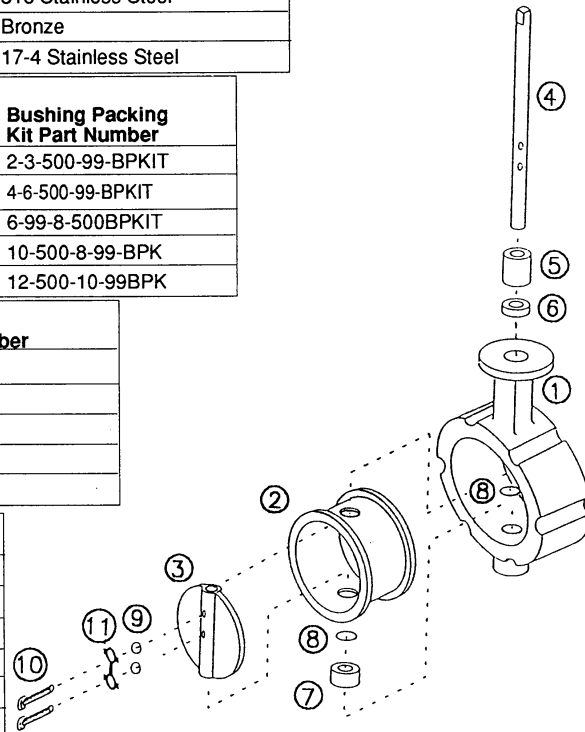
Note: (2-12) equals size 2" - 12" depending on your needs.

Item#	Description	Part Number	Material
1	Housing (2-12)	500-206	Cast Aluminum Solid Housing
2	Seat (2-12)	500-522700	Black All Season Nitrile
	Trim	701	FDA White
3	Disc (2-12)	500-522237U	Iron
	Trim	209U	316 Stainless Steel
	Trim	203	Bronze
4	Stem (2-12)	500-522240	17-4 Stainless Steel

Items 5, 6, 7 & 8 are only sold as a Bushing Packing Kit:		Size/Series	Bushing Packing Kit Part Number
Upper Bushing #5		2"-3" All Valves	2-3-500-99-BPKIT
Packing #6		4"-5" All Valves; 6" 500/522	4-6-500-99-BPKIT
Lower Bushing #7		6" 890; 8" 500/522	6-99-8-500BPKIT
	O-Seals (2 ea.) #8	10" 500/522; 8" 890	10-500-8-99-BPK
		12" All Valves; 10" 890	12-500-10-99BPK

Items 9 & 10 are sold as a Complete DSC/Screw Set:		Size/Series	DSC/Screw Set Part Number
O-Rings (2 ea.) #9		2"-3" 500/522	2-3-213
Disc Screws #10		4"-6" 500/522	4-5-6-213
		8" 500/522	8-213
		10" 500/522	10-213
		12" 500/522	12-213

Items 9, 10 & 11 are sold as a Kit:		Size/Series	Sure Lock Kit Part #
Sure Lock #11		2"-500/522	2-222
O-Rings (2 ea.) #9		3"-500/522	3-222
		4"-500/522	4-222
Disc Screws #10		5"-500/522	5-222
		6"-500/522	6-222
		8"-500/522	8-222
		10"-500/522	10-222
		12"-500/522	12-222



Handle Kit Assemblies (Not Picutred)			
(Includes Handle Plate Kit and Handle/Lever Assembly)			
Part Number	Size/Series	Material	Position
500-207-23-5	2"-3" All Valves	Aluminum	5
500-207-46-5	4"-6" 500; 4"-5" 890	Aluminum	5
500-207-65	6" 890	Aluminum	5
500-207-23-10	2"-3" All Valves	Aluminum	10
500-207-46-10	4"-6" 500; 4"-5" 890	Aluminum	10
500-207-610	6" 890	Aluminum	10
500-237-810	8" 500/522	Nodular Iron	10
500-237-1010	10" 500/522; 8" 890	Nodular Iron	10
500-237-1210	12" All Valves; 10" 890	Nodular Iron	10

800-677-3711

Signal Hill, (L.A.) CA
(562) 490-0030 • Fax (562) 490-0091

West Sacramento, CA
(916) 371-1622 • Fax (916) 371-4792

Dallas/Fort Worth, TX
(817) 740-8077 • (817) 740-1332

Portland, OR
(503) 221-0335 • Fax (503) 221-0911

www.tankparts.com

Western Pacific Products, Inc.

Anything In Or On Your Tank – Ready to Ship

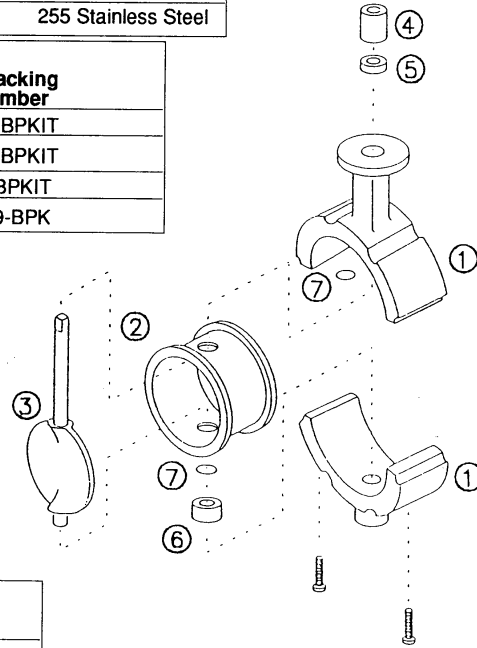
Over 8,000 Part Numbers – Over 26,000 Square Feet of Warehouse – We Ship Worldwide

Replacement Part Number and Description 890 Series Transportation Valves 2"-8"

Note: (2-8) equals size 2" - 8" depending on your needs.

Item#	Description	Part Number	Material
1	Housing (2-8)	890-206	Cast Aluminum Split Housing
2	Seat (2"-5")	500-522700	Black All Season Nitrile
	Trim	701	FDA White
	Seat (6")	890-893700	Black All Season Nitrile
	Trim	701	FDA White
	<i>Note: Add "S" behind part no. to order square shoulder seat (sizes 3", 4", 5", 6")</i>		
	Seat (8")	890-893700	Black All Season Nitrile
	Trim	701	FDA White
3	890 Disc/Stem Assemblies	Part Number	Material
		2-890-255U	255 Stainless Steel
		3-890-255U	255 Stainless Steel
		4-890-255U	255 Stainless Steel
		5-890-255U	255 Stainless Steel
		6-890-255U	255 Stainless Steel
		8-890-255U	255 Stainless Steel

<i>Items 4, 5, 6, & 7 are only sold as a Bushing Packing Kit:</i>	Size/Series	Bushing Packing Kit Part Number	
	Upper Bushing #4	2"-3" All Valves	2-3-500-99-BPKIT
	Packing #5	4"-5" All Valves; 6" 500/522	4-6-500-99-BPKIT
	Lower Bushing #6	6" 890; 8" 500/522	6-99-8-500BPKIT
	O-Seals (2 ea.) #7	10" 500/522; 8" 890	10-500-8-99-BPK



Handle Kit Assemblies (Not Picured) (Includes Handle Plate Kit and Handle/Lever Assembly)			
Part Number	Size/Series	Material	Position
500-207-23-5	2"-3" All Valves	Aluminum	5
500-207-46-5	4"-6" 500; 4"-5" 890	Aluminum	5
500-207-65	6" 890	Aluminum	5
500-207-23-10	2"-3" All Valves	Aluminum	10
500-207-46-10	4"-6" 500; 4"-5" 890	Aluminum	10
500-207-610	6" 890	Aluminum	10
500-237-1010	10" 500/522; 8" 890	Nodular Iron	10

800-677-3711

Signal Hill, (L.A.) CA

(562) 490-0030 • Fax (562) 490-0091

West Sacramento, CA

(916) 371-1622 • Fax (916) 371-4792

Dallas/Fort Worth, TX

(817) 740-8077 • (817) 740-1332

Portland, OR

(503) 221-0335 • Fax (503) 221-0911

www.tankparts.com