

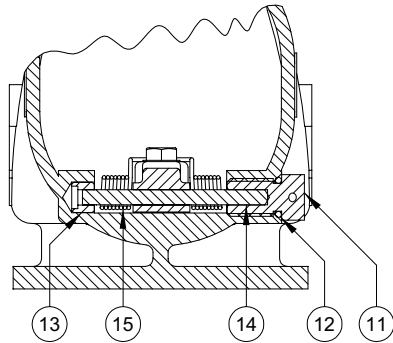
Western Pacific Products, Inc.

Anything In Or On Your Tank – Ready to Ship

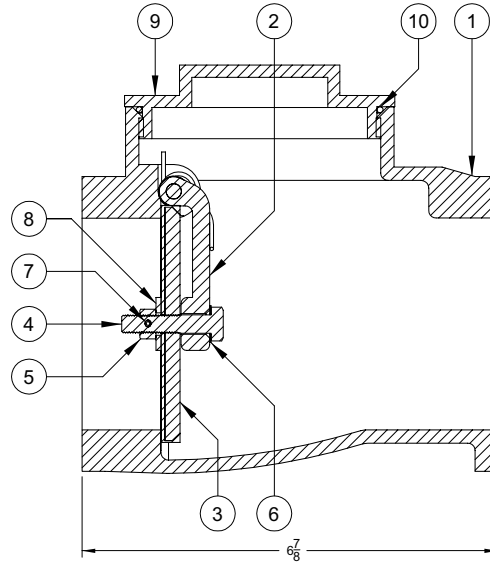
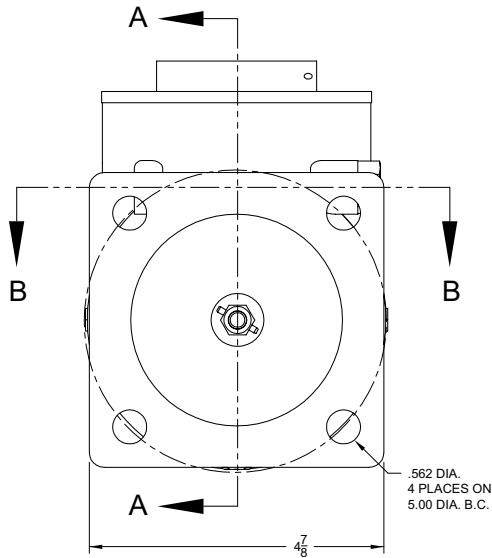
Over 8,000 Part Numbers – Over 26,000 Square Feet of Warehouse – We Ship Worldwide

Rev. 0, January 2003

VA1015FG 3" CHECK VALVE



SECTION B-B



SECTION A-A

ITEM	PART NUMBER	DESCRIPTION	QTY.
1	9572	BODY	1
2	9945	POPPET ARM ¹	1
3	9781	POPPET (BRONZE / SILICONE) ¹	1
4	9894	SCREW ¹	1
5	9895	HEX NUT ¹	1
6	4714	WASHER (BELLEVILLE) ¹	1
7	9896	SPRING PIN ¹	1
8	1159	WASHER (FLAT) ¹	1
9	10096	CAP	1
10	9897	CAP O-RING (VITON)	1

ITEM	PART NUMBER	DESCRIPTION	QTY.
11	10077	GLAND NUT	1
12	9902	GLAND O-RING (VITON)	1
13	9578	BUSHING	1
14	9574	PIVOT ROD	1
15	9944	SPRING	1

REPAIR KITS		
PART NUMBER	DESCRIPTION	QTY.
9946	POPPET ASSY (BRONZE / SILICONE)	N/A

1 - Included in 9946



800-677-3711

Signal Hill, (L.A.) CA

(562) 490-0030 • Fax (562) 490-0091

West Sacramento, CA

(916) 371-1622 • Fax (916) 371-4792

Dallas/Fort Worth, TX

(817) 740-8077 • (817) 740-1332

Portland, OR

(503) 221-0335 • Fax (503) 221-0911

www.tankparts.com

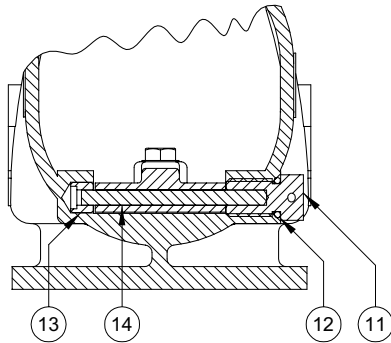
Western Pacific Products, Inc.

Anything In Or On Your Tank – Ready to Ship

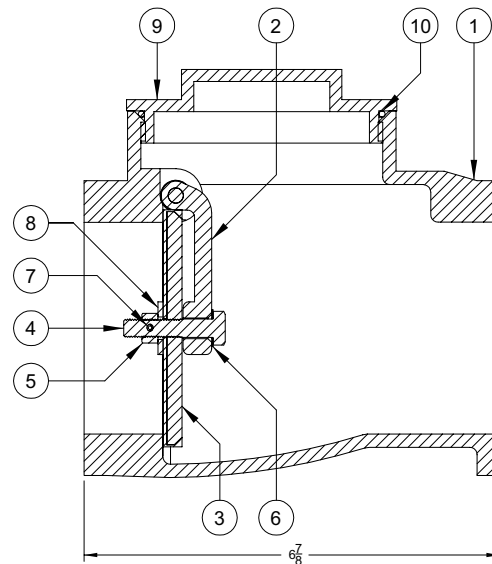
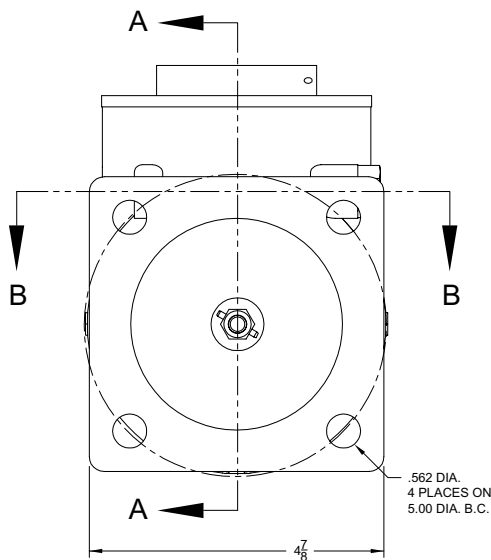
Over 8,000 Part Numbers – Over 26,000 Square Feet of Warehouse – We Ship Worldwide

Rev. 0, January 2003

VA1011FG 3" CHECK VALVE



SECTION B-B



SECTION A-A

ITEM	PART NUMBER	DESCRIPTION	QTY.
1	9572	BODY	1
2	9573	POPPET ARM ¹	1
3	9781	POPPET (BRONZE / SILICONE) ¹	1
4	9894	SCREW ¹	1
5	9895	HEX NUT ¹	1
6	4714	WASHER (BELLEVILLE) ¹	1
7	9896	SPRING PIN ¹	1
8	1159	WASHER (FLAT) ¹	1
9	10096	CAP	1

ITEM	PART NUMBER	DESCRIPTION	QTY.
10	9897	CAP O-RING (VITON)	1
11	10077	GLAND NUT	1
12	9902	GLAND O-RING (VITON)	1
13	9578	BUSHING	1
14	9574	PIVOT ROD	1

REPAIR KITS		
PART NUMBER	DESCRIPTION	QTY.
9782	POPPET ASSY (BRONZE / SILICONE)	N/A

1 - Included in 9782

CIVACON™

800-677-3711

Signal Hill, (L.A.) CA

(562) 490-0030 • Fax (562) 490-0091

West Sacramento, CA

(916) 371-1622 • Fax (916) 371-4792

Dallas/Fort Worth, TX

(817) 740-8077 • (817) 740-1332

Portland, OR

(503) 221-0335 • Fax (503) 221-0911

www.tankparts.com

3-37

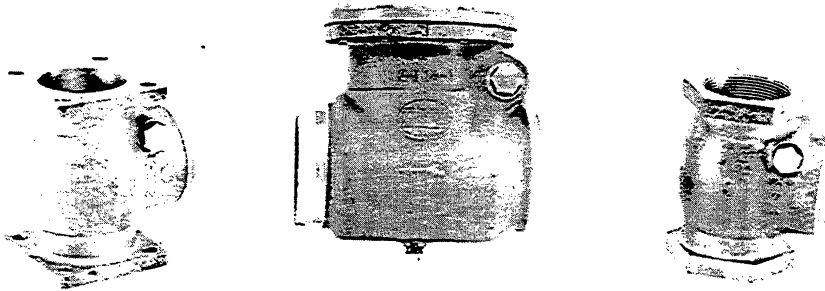
Western Pacific Products, Inc.

Anything In Or On Your Tank – Ready to Ship

Over 8,000 Part Numbers – Over 26,000 Square Feet of Warehouse – We Ship Worldwide



SWING CHECK VALVE



KNAPPCO'S Swing Check Valves are designed for maximum flow with minimum pressure drop. The poppet assembly is self-aligning to assure even sealing on the raised vertical seat. The poppet assembly can be easily removed for replacement of the gasket.

These valves are made with aluminum bodies ONLY, and are available in 2" and 3" sizes.

Gaskets (Viton A) are cemented to poppet if valve is to be used for pneumatic service. Please specify.

BODY	INTERNAL TRIM			
	Brass/Stl Buna N	Alum/SS Buna N	Brass/Stl Viton	Alum/SS Viton
2" Flanged	VA0001	VA0002	VA0003	VA0004
2" Flanged, Spring Loaded	VA0005	VA0006	VA0007	VA0008
3" Flanged	VA0009	VA0010	VA0011	VA0012
3" Flanged, Spring Loaded	VA0013	VA0014	VA0015	VA0016
3" Threaded	VA0017	VA0018	VA0019	VA0020
3" Threaded, Spring Loaded	VA0021	VA0022	VA0023	VA0024

KNAPPCO - KANSAS CITY, MISSOURI 64150

800-677-3711

Signal Hill, (L.A.) CA

(562) 490-0030 • Fax (562) 490-0091

West Sacramento, CA

(916) 371-1622 • Fax (916) 371-4792

Dallas/Fort Worth, TX

(817) 740-8077 • (817) 740-1332

Portland, OR

(503) 221-0335 • Fax (503) 221-0911

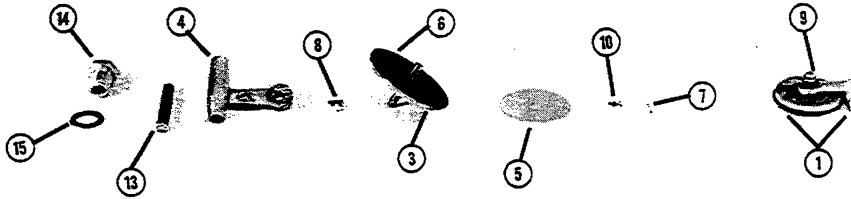
www.tankparts.com

3-38

Western Pacific Products, Inc.

Anything In Or On Your Tank – Ready to Ship

Over 8,000 Part Numbers – Over 26,000 Square Feet of Warehouse – We Ship Worldwide



SWING CHECK VALVE

REFERRALS	DESCRIPTION	2" CHECK VALVE		3" CHECK VALVE		4" CHECK VALVE	
		Standard Brass & Steel Internal	Aluminum SS Internal	Standard Brass & Steel Internal	Aluminum SS Internal	Standard Brass & Steel Internal	Aluminum SS Internal
1	Poppet and Arm Assembly with Viton Gasket	1850	1852	1724	1740	1860	2800
2	Poppet and Arm Assembly with Buna N Gasket NOT SHOWN	1849	1851	1722	1739	1859	2799
3	Poppet	1700	1711	1719	1737	1745	2519
4	Arm	1701	1712	1720	1738	1746	2516
5	Back Up Disc	1708	1708	1721	1721	1749	1749
6	Poppet Gasket Buna	1704	1704	1717	1717	1750	1750
7	Cotter Pin	1718	1716	1718	1716	1756	2797
8	Nut (Poppet)	1705	1714	1705	1714	1754	2819
9	Screw (Back Up Disc)	1707	1707				
10	Nut (Back Up Disc)			1705	1714	1755	1115
11	Cap NOT SHOWN	1699	1710	1727	1733	1744	1744
12	Cap Gasket NOT SHOWN			1731	1731	1752	1752
13	Shaft	1702	1713	1728	1734	1748	2817
14	Shaft Nut	3958	1715	1729	1735	3973	2518
15	Shaft Nut Gasket			1730	1730	1730	1730
16	Spring NOT SHOWN	1709		1732			
17	Gasket Viton NOT SHOWN		1703		1723		1751

800-677-3711

Signal Hill, (L.A.) CA

(562) 490-0030 • Fax (562) 490-0091

West Sacramento, CA

(916) 371-1622 • Fax (916) 371-4792

Dallas/Fort Worth, TX

(817) 740-8077 • (817) 740-1332

Portland, OR

(503) 221-0335 • Fax (503) 221-0911

www.tankparts.com

Western Pacific Products, Inc.

Anything In Or On Your Tank – Ready to Ship

Over 8,000 Part Numbers – Over 26,000 Square Feet of Warehouse – We Ship Worldwide

SURE SEAL

G2

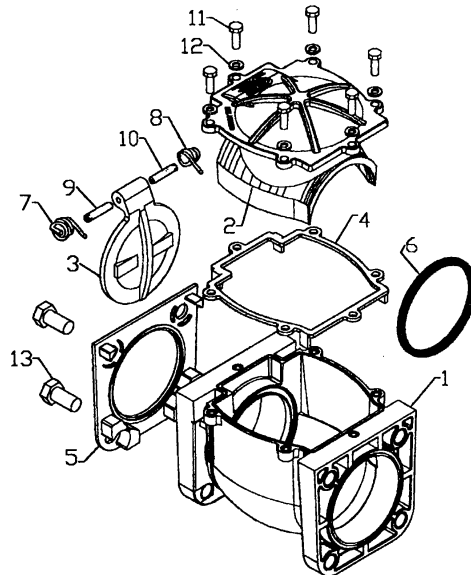
GENERATION2

CHECK VALVE

Part Number	Description	List Price
3" G2 COMPOSITE CHECK VALVE ASSEMBLY BUNA SEAL		
CV-300	WITHOUT SPRING	106.00
CV-301	WITH SPRING	110.00
* BUNA SEAL TEMPERATURE RANGE: 0° F TO 212° F		
3" G2 COMPOSITE CHECK VALVE ASSEMBLY VITON SEAL		
CV-340	WITHOUT SPRING	124.00
CV-341	WITH SPRING	130.00
* VITON SEAL TEMPERATURE RANGE: 0° F TO 400° F		
3" G2 COMPOSITE CHECK VALVE ASSEMBLY SILICONE SEAL		
CV-300W	WITHOUT SPRING	106.00
CV-301W	WITH SPRING	110.00
* SILICONE SEAL TEMPERATURE RANGE: 0° F TO 300° F		

SPARE PARTS

ITEM	ITEM #	LIST PRICE	QTY
1.) Body	3-BODY-CV	N/A	1
2.) Lid	3-CV-LID	13.50	1
3.) Poppet	3-CV-POPPET	17.50	1
4.) Lid Gasket	3-CV-GSKT	3.30	1
5.) End Gasket	3-EF-GSKT	4.30	2
6.) Buna-Seal	3-CV-BSEAL	2.50	1
Viton-Seal	3-CV-VSEAL	20.36	1
7.) Right Spring	3-CV-SPGR	1.10	1
8.) Left Spring	3-CV-SPGL	1.10	1
9.) Right Pin	3-CV-PIN-R	1.76	1
10.) Left Pin	3-CV-PIN-L	1.76	1
11.) Lid Bolt	Z-1/4-20X3/4	0.26	6
12.) Lid Washer	Z-1/4-LOC-WASH	0.10	6
13.) Mtg. Bolt	Z-1/2-13X1	1.70	8



800-677-3711

Signal Hill, (L.A.) CA

(562) 490-0030 • Fax (562) 490-0091

West Sacramento, CA

(916) 371-1622 • Fax (916) 371-4792

Dallas/Fort Worth, TX

(817) 740-8077 • (817) 740-1332

Portland, OR

(503) 221-0335 • Fax (503) 221-0911

www.tankparts.com

Western Pacific Products, Inc.

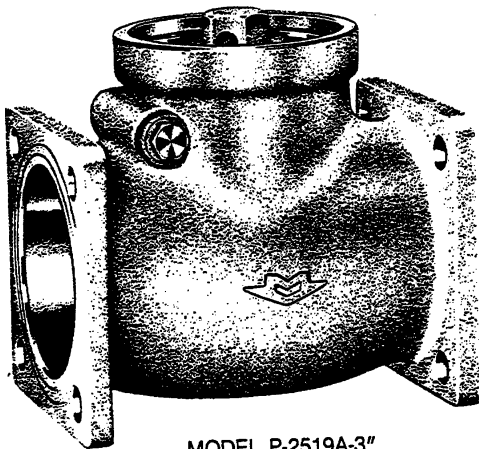
Anything In Or On Your Tank – Ready to Ship

Over 8,000 Part Numbers – Over 26,000 Square Feet of Warehouse – We Ship Worldwide

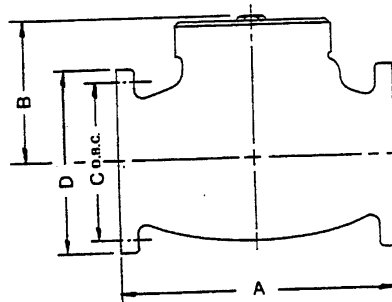
SWING CHECK P-2519A ALUMINUM

Dry Bulk Transports • Tank Truck
Aluminum Disc With Viton® Seat
150 WOG†

A rugged multi-purpose swing check for general tank and loading rack installations. All the advantages of full flow afforded by swing check design, near silent operation, leak resistance and quick cap removal; stainless steel pin and plugs.



MODEL P-2519A-3"



DIMENSION-INCHES

SIZE	A	B	C	D	E	F
3	6 ⁷ / ₈	4 ¹ / ₁₆	5	4 ³ / ₄	4	9 ¹ / ₁₆

DIMENSION DESCRIPTION

C	Diameter Bolt Circle
D	For 3" Square Flange
E	Number of Bolt Holes
F	Size of Bolt Holes

NOTE: P-2519-4" Also Available — Consult Factory.

800-677-3711

Signal Hill, (L.A.) CA

(562) 490-0030 • Fax (562) 490-0091

West Sacramento, CA

(916) 371-1622 • Fax (916) 371-4792

Dallas/Fort Worth, TX

(817) 740-8077 • (817) 740-1332

Portland, OR

(503) 221-0335 • Fax (503) 221-0911

www.tankparts.com

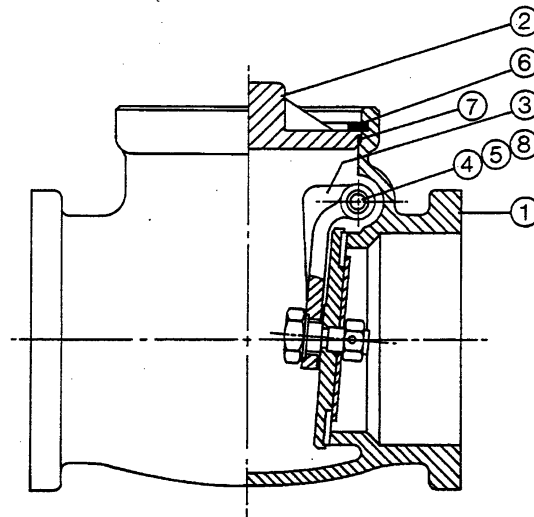
3-41

Western Pacific Products, Inc.

Anything In Or On Your Tank – Ready to Ship

Over 8,000 Part Numbers – Over 26,000 Square Feet of Warehouse – We Ship Worldwide

SWING CHECK P-2519A REPAIR PARTS LIST



NO.	DESCRIPTION	MATERIAL	SIZE-INCHES/ PART NUMBER
			3
1	Body	Aluminum	15147-L
2	Cap	Aluminum	40290-L
3	Lever	Aluminum	445-L
4	Plug	St. Steel	42124-L
5	Pin	St. Steel	5979-L
6	Retaining Ring	Carbon Steel	52109-362
7	O-Ring	Buna-N	65118-043
8	Lever Bushing	Teflon*	4171-L
REPAIR KITS			
Disc-Lever Assembly (Incl. Lever Bushing)			84033-L
OBSOLETE Disc-Lever Assy.			8465-L

800-677-3711

Signal Hill, (L.A.) CA

(562) 490-0030 • Fax (562) 490-0091

West Sacramento, CA

(916) 371-1622 • Fax (916) 371-4792

Dallas/Fort Worth, TX

(817) 740-8077 • (817) 740-1332

Portland, OR

(503) 221-0335 • Fax (503) 221-0911

www.tankparts.com

Western Pacific Products, Inc.

Anything In Or On Your Tank – Ready to Ship

Over 8,000 Part Numbers – Over 26,000 Square Feet of Warehouse – We Ship Worldwide

3" & 4" SWING CHECK VALVES

- Cast aluminum bodies
- Bronze cleanouts, valves & arms

BAYCO Model

#3000

#3000 SQ

#3000 SQ-SP

#3101

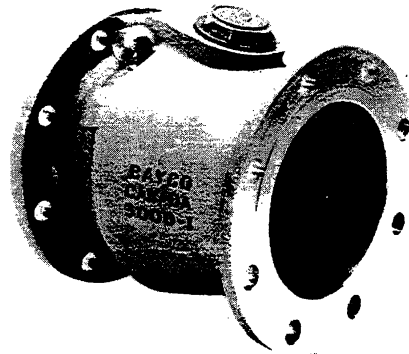
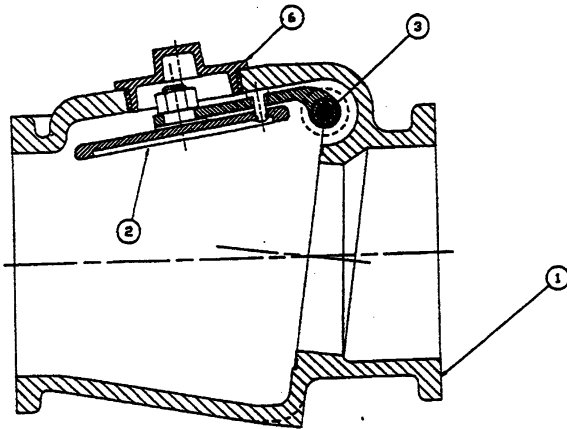
Description

Round flanged 3" swing check (metal to metal seal)

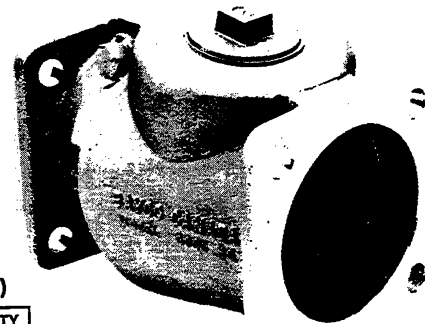
Square flanged 3" swing check (metal to metal seal)

Square flanged 3" swing check with spring loaded check valve (Buna seal standard)

Round flanged 4" swing check (metal to metal seal)



MODEL #3000
(3", Round Flange with Metal to Metal Seal)



MODEL #3000 SQ
(3", Square Flange with Metal to Metal Seal)

3" SWING CHECK VALVE (#3000, ROUND FLANGE; #3000 SQ, SQUARE FLANGE)

ITEM	NAME	DESCRIPTION	CODE	QTY
6	CLEAN-OUT (#3000)	1 1/2" DIAM., BRONZE	36 3000CAP	1
6	CLEAN-OUT (#3000 SQ)	2" DIAM., BRONZE	25 2002	1
4	SHAFT NUTS	BRONZE	36 3000-5	2
3	SHAFT	STNLS. STL.	36 3000-4	1
2	VALVE ASSBLY		36 3000-8	1
1	BODY (#3000)	ALUM. ALLOY	36 3000-1	1
1	BODY (#3000 SQ)	ALUM. ALLOY	36 3000SQ-1	1

800-677-3711

Signal Hill, (L.A.) CA

(562) 490-0030 • Fax (562) 490-0091

West Sacramento, CA

(916) 371-1622 • Fax (916) 371-4792

Dallas/Fort Worth, TX

(817) 740-8077 • (817) 740-1332

Portland, OR

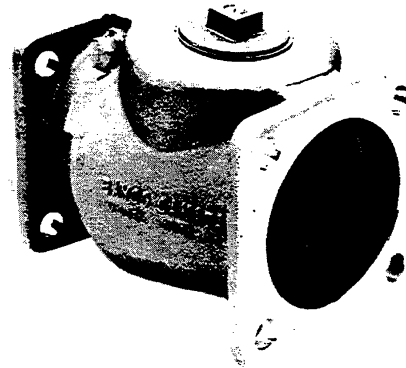
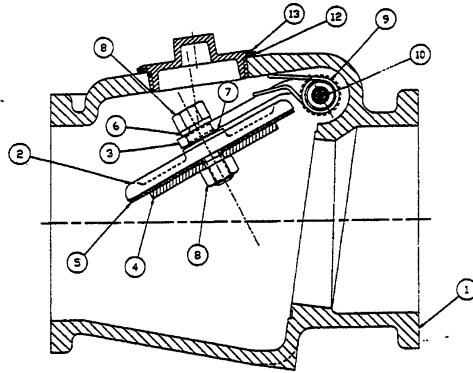
(503) 221-0335 • Fax (503) 221-0911

www.tankparts.com

Western Pacific Products, Inc.

Anything In Or On Your Tank – Ready to Ship

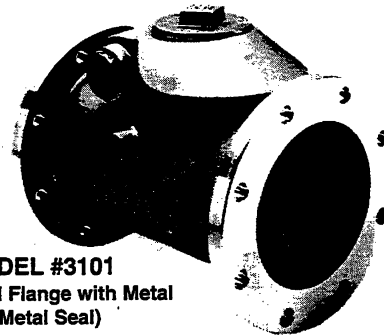
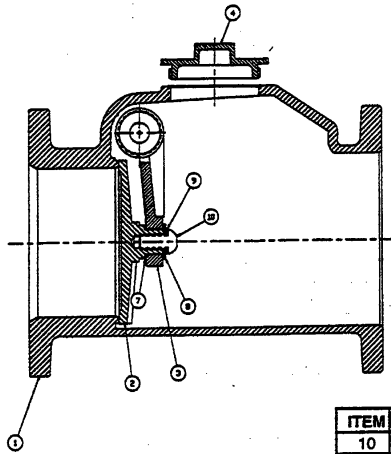
Over 8,000 Part Numbers – Over 26,000 Square Feet of Warehouse – We Ship Worldwide



**3" SWING CHECK VALVE WITH SPRING LOADED VALVE
(MODEL #3000 SQ-SP) & SQUARE FLANGE**

MODEL #3000 SQ-SP
(3", Square Flange with Spring Loaded Valve & Buna Seal)

ITEM	NAME	DESCRIPTION	CODE	QTY
13	CLEAN-OUT	2" DIAM., BRONZE	25 2002	1
12	GASKET	PAPER GASKET	25 2004	1
11	SHAFT NUTS	BRONZE	36 3000-5	2
10	SHAFT	STNLS. STL.	36 3000-4	1
9	TORSION SPRING	STNLS. STL.	90 SPRING/L4603	1
8	VALVE NUT	3/8-16NC BRASS, TIN PLTD.	90 NUT .375HX/YB-P	2
7	WAVE SPRING		90 WASHER W0734	1
6	WASHER	3/8 STNLS. STL.	90 WASHER .375/SS	1
5	SEAL	BUNA-N	90 WASHER/L4634	1
4	SEAL WASHER	AL. DISK	90 WASHER/L4635	1
3	VALVE ARM	BRONZE ALLOY	36 3000SQ-SP-2	1
2	VALVE BODY	BRONZE ALLOY	36 3000SQ-SP-1	1
1	BODY	ALUM. ALLOY	36 3000SQ-1	1



MODEL #3101
(4", Round Flange with Metal to Metal Seal)

**4" SWING CHECK VALVE
(MODEL #3101, ROUND FLANGE)**

ITEM	NAME	DESCRIPTION	CODE	QTY
10	SCREW	3/8x5/8 BLG BUTTON HEAD, PLTD.	36 4413	1
9	LOCK WASHER	3/8 STNLS. STL. LOCK WASHER	90 WASHER, 375/SS	1
8	WASHER	5/16 STND. SC. WASHER, PLTD.	36 4415	1
7	WAVE SPRING		36 4414	1
6	SHAFT PLUG	1-1/4 HEX. Y. BRASS ROD	36 4420	2
5	SHAFT	STNLS. STL. 1/2"	36 3122	1
4	CLEANOUT CAP	3" DIAM., BRONZE	25 3002	1
3	ARM	BRONZE ALLOY	36 3103	1
2	VALVE	BRONZE ALLOY	36 3100-2	1
1	BODY	ALUM. ALLOY	36 3100-1	1

800-677-3711

Signal Hill, (L.A.) CA

(562) 490-0030 • Fax (562) 490-0091

West Sacramento, CA

(916) 371-1622 • Fax (916) 371-4792

Dallas/Fort Worth, TX

(817) 740-8077 • (817) 740-1332

Portland, OR

(503) 221-0335 • Fax (503) 221-0911

www.tankparts.com