

# Western Pacific Products, Inc.

*Anything In Or On Your Tank – Ready to Ship*

*Over 8,000 Part Numbers – Over 26,000 Square Feet of Warehouse – We Ship Worldwide*

| FLUED FLANGES  |               |             |        |            |         |         |      |             |
|--|---------------|-------------|--------|------------|---------|---------|------|-------------|
|  |               |             |        |            |         |         |      |             |
| Drilling in accordance with TTMA recommended practice. |               |             |        |            |         |         |      |             |
| DESCRIPTION, PART NUMBERS, & WEIGHT                    |               |             |        | DIMENSIONS |         |         |      |             |
| Pipe Size  | Material      | Part Number | Weight | I.D.       | O.D.    | B.C.    | A    | No of Holes |
| 1  | Steel         | 11283 A     | .46    | 1 11/32    | 3 29/32 | 2 21/32 | 1/2  | 4           |
|  | Stainless     | S 11283 A   |        |            |         |         |      |             |
|  | 316 Stainless | SS 11283 A  |        |            |         |         |      |             |
| 1 1/2  | Steel         | 20706 A     | .6     | 1 15/16    | 4 1/2   | 3 1/2   | 1/2  | 4           |
|  | Stainless     | S 20706 A   |        |            |         |         |      |             |
|  | 316 Stainless | SS 20706 A  |        |            |         |         |      |             |
| 2  | Steel         | 20079 A     | .7     | 2 13/32    | 5       | 3 1/2   | 1/2  | 6           |
|  | Stainless     | S 20079 A   |        |            |         |         |      |             |
|  | 316 Stainless | SS 20079 A  |        |            |         |         |      |             |
| 2 1/2  | Steel         | 20174 A     | .81    | 2 29/32    | 5 1/2   | 4 1/2   | 9/16 | 6           |
|  | Stainless     | S 20174 A   |        |            |         |         |      |             |
|  | 316 Stainless | SS 20174 A  |        |            |         |         |      |             |
| 3  | Steel         | 20056 A     | 1.     | 3 17/32    | 6 1/2   | 4 1/2   | 1/2  | 8           |
|  | Stainless     | S 20056 A   |        |            |         |         |      |             |
|  | 316 Stainless | SS 20056 A  |        |            |         |         |      |             |
| 4  | Steel         | 20080 A     | 1.25   | 4 17/32    | 7 1/2   | 5 1/2   | 1/2  | 8           |
|  | Stainless     | S 20080 A   |        |            |         |         |      |             |
|  | 316 Stainless | SS 20080 A  |        |            |         |         |      |             |

 ALLEGHENY COUPLING CO., WARREN, PA. 16365

| BLIND FLANGES                       |               |             |        |                   |      |       |  |             |
|-------------------------------------|---------------|-------------|--------|-------------------|------|-------|--|-------------|
|                                     |               |             |        |                   |      |       |  |             |
|                                     |               |             |        | Steel & Stainless |      |       |  |             |
|                                     |               |             |        | Aluminum          |      |       |  |             |
| DESCRIPTION, PART NUMBERS, & WEIGHT |               |             |        | DIMENSIONS        |      |       |  |             |
| Pipe Size                           | Material      | Part Number | Weight | O.D.              | A    | B.C.  |  | No of Holes |
| 2                                   | Steel         | 20518       | .9     | 5                 | 9/32 | 3 1/2 |  | 6           |
|                                     | Stainless     | S 20518     |        |                   |      |       |  |             |
|                                     | 316 Stainless | SS 20518    |        |                   |      |       |  |             |
| 2 1/2                               | Aluminum      | 20661 A     | .5     | 4 1/2             | 1/2  |       |  | 6           |
|                                     | Steel         | 20519       | 1.0    | 5 1/2             | 9/32 | 4 1/2 |  | 6           |
|                                     | Stainless     | S 20519     |        |                   |      |       |  |             |
| 316 Stainless                       | SS 20519      |             |        |                   |      |       |  |             |
| 3                                   | Steel         | 20520       | 1.3    | 6 1/2             | 9/32 | 4 1/2 |  | 8           |
|                                     | Stainless     | S 20520     |        |                   |      |       |  |             |
|                                     | 316 Stainless | SS 20520    |        |                   |      |       |  |             |
| 4                                   | Aluminum      | 20661 C     | .8     | 5 1/2             | 1/2  |       |  | 8           |
|                                     | Steel         | 20521       | 1.5    | 7 1/2             | 9/32 | 5 1/2 |  | 8           |
|                                     | Stainless     | S 20521     |        |                   |      |       |  |             |
| 316 Stainless                       | SS 20521      |             |        |                   |      |       |  |             |
|                                     | Aluminum      | 20661 D     | 1.25   | 6 1/2             | 1/2  |       |  |             |

**800-677-3711**

Signal Hill, (L.A.) CA  
(562) 490-0030 • Fax (562) 490-0091

West Sacramento, CA  
(916) 371-1622 • Fax (916) 371-4792

Dallas/Fort Worth, TX  
(817) 740-8077 • (817) 740-1332

Portland, OR  
(503) 221-0335 • Fax (503) 221-0911

[www.tankparts.com](http://www.tankparts.com)

# Western Pacific Products, Inc.

*Anything In Or On Your Tank – Ready to Ship*

*Over 8,000 Part Numbers – Over 26,000 Square Feet of Warehouse – We Ship Worldwide*

**ECCENTRIC REDUCING FLUED FLANGES**

| DESCRIPTION, PART NUMBERS, & WEIGHT |               |             |        | DIMENSIONS |       |       |     |             |
|-------------------------------------|---------------|-------------|--------|------------|-------|-------|-----|-------------|
| Pipe Size                           | Material      | Part Number | Weight | L.D.       | O.D.  | B.C.  | A   | No of Holes |
| 3 x 2                               | Steel         | 40983 B     | .85    | 2 13/32    | 6 1/2 | 4 1/2 | 1/2 | 8           |
|                                     | Stainless     | S 40983 B   |        |            |       |       |     |             |
|                                     | 316 Stainless | SS 40983 B  |        |            |       |       |     |             |
| 3 x 2 1/2                           | Steel         | 40983 C     | 1.15   | 2 29/32    | 6 1/2 | 4 1/2 | 1/2 | 8           |
|                                     | Stainless     | S 40983 C   |        |            |       |       |     |             |
|                                     | 316 Stainless | SS 40983 C  |        |            |       |       |     |             |
| 4 x 3                               | Steel         | 40983 D     | 1.3    | 3 17/32    | 7 1/2 | 5 1/2 | 1/2 | 8           |
|                                     | Stainless     | S 40983 D   |        |            |       |       |     |             |
|                                     | 316 Stainless | SS 40983 D  |        |            |       |       |     |             |
| 6 x 4                               | Steel         | 40983 F     | 1.75   | 4 17/32    | 9 1/2 | 8 1/2 | 1/2 | 12          |
|                                     | Stainless     | S 40983 F   |        |            |       |       |     |             |
|                                     | 316 Stainless | SS 40983 F  |        |            |       |       |     |             |

**AC ALLEGHENY COUPLING CO., WARREN, PA. 16365**

**CONCENTRIC REDUCING FLUED FLANGES**

| DESCRIPTION, PART NUMBERS, & WEIGHT |               |             |        | DIMENSIONS |       |       |     |             |
|-------------------------------------|---------------|-------------|--------|------------|-------|-------|-----|-------------|
| Pipe Size                           | Material      | Part Number | Weight | L.D.       | O.D.  | B.C.  | A   | No of Holes |
| 3 x 2                               | Steel         | 40984 B     | .85    | 2 13/32    | 6 1/2 | 4 1/2 | 1/2 | 8           |
|                                     | Stainless     | S 40984 B   |        |            |       |       |     |             |
|                                     | 316 Stainless | SS 40984 B  |        |            |       |       |     |             |
| 3 x 2 1/2                           | Steel         | 40984 C     | 1.15   | 2 29/32    | 6 1/2 | 4 1/2 | 1/2 | 8           |
|                                     | Stainless     | S 40984 C   |        |            |       |       |     |             |
|                                     | 316 Stainless | SS 40984 C  |        |            |       |       |     |             |
| 4 x 3                               | Steel         | 40984 D     | 1.3    | 3 17/32    | 7 1/2 | 5 1/2 | 1/2 | 8           |
|                                     | Stainless     | S 40984 D   |        |            |       |       |     |             |
|                                     | 316 Stainless | SS 40984 D  |        |            |       |       |     |             |
| 6 x 4                               | Steel         | 40984 F     | 1.75   | 4 17/32    | 9 1/2 | 8 1/2 | 1/2 | 12          |
|                                     | Stainless     | S 40984 F   |        |            |       |       |     |             |
|                                     | 316 Stainless | SS 40984 F  |        |            |       |       |     |             |

**800-677-3711**

**Signal Hill, (L.A.) CA**  
(562) 490-0030 • Fax (562) 490-0091

**West Sacramento, CA**  
(916) 371-1622 • Fax (916) 371-4792

**Dallas/Fort Worth, TX**  
(817) 740-8077 • (817) 740-1332

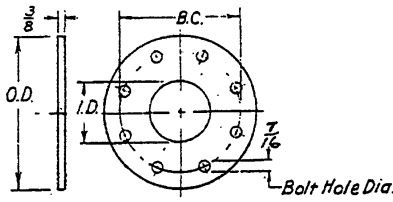
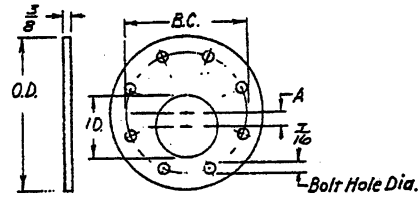

**Portland, OR**  
(503) 221-0335 • Fax (503) 221-0911

[www.tankparts.com](http://www.tankparts.com)

# Western Pacific Products, Inc.

*Anything In Or On Your Tank – Ready to Ship*

*Over 8,000 Part Numbers – Over 26,000 Square Feet of Warehouse – We Ship Worldwide*

| ALUMINUM REDUCING FLANGES   |          |  |        |            |       |       |             |             |
|---|----------|--|--------|------------|-------|-------|-------------|-------------|
| <b>CONCENTRIC</b><br> <p style="text-align: center;"><i>Material: Aluminum 6061-</i></p>  |          |  |        |            |       |       |             |             |
| DESCRIPTION, PART NUMBERS, & WEIGHT   |          |  |        | DIMENSIONS |       |       |             |             |
| Pipe Size   | Material | Part Number                                      | Weight | I.D.       | O.D.  | B.C.  | No of Holes |             |
| 3 x 2   | Aluminum | 41002 B  | .7     | 2 7/16     | 5 5/8 | 4 7/8 | 8           |             |
| 3 x 2 1/2   | Aluminum | 41002 C  | .8     | 2 15/16    | 5 5/8 | 4 7/8 | 8           |             |
| 4 x 3   | Aluminum | 41002 D  | .9     | 3 9/16     | 6 5/8 | 5 7/8 | 8           |             |
| 6 x 4   | Aluminum | 41002 F  | 1.3    | 4 9/16     | 9     | 8 1/2 | 12          |             |
| <b>ECCENTRIC</b><br> <p style="text-align: center;"><i>Material: Aluminum 6061-</i></p> |          |  |        |            |       |       |             |             |
| DESCRIPTION, PART NUMBERS, & WEIGHT   |          |  |        | DIMENSIONS |       |       |             |             |
| Pipe Size   | Material | Part Number                                      | Weight | I.D.       | O.D.  | A     | B.C.        | No of Holes |
| 3 x 2   | Aluminum | 41001 B  | .7     | 2 7/16     | 5 5/8 | 9/16  | 4 7/8       | 8           |
| 4 x 3   | Aluminum | 41001 D  | .9     | 3 9/16     | 6 5/8 | 1/2   | 5 7/8       | 8           |
| 6 x 4   | Aluminum | 41001 F  | 1.3    | 4 9/16     | 9     | 1 1/2 | 8 1/2       | 12          |
| <b>Note:</b><br>Drilling in accordance with TTMA recommended practice.<br>Higher rates of flow can be achieved by using Reducers. ( See Pages 580 and 581)                  |          |  |        |            |       |       |             |             |
|    |          | <b>ALLEGHENY COUPLING CO., WARREN, PA. 16365</b> |        |            |       |       |             |             |

**800-677-3711**

**Signal Hill, (L.A.) CA**

(562) 490-0030 • Fax (562) 490-0091

**West Sacramento, CA**

(916) 371-1622 • Fax (916) 371-4792

**Dallas/Fort Worth, TX**

(817) 740-8077 • (817) 740-1332

**Portland, OR**

(503) 221-0335 • Fax (503) 221-0911

[www.tankparts.com](http://www.tankparts.com)

# Western Pacific Products, Inc.

*Anything In Or On Your Tank – Ready to Ship*

*Over 8,000 Part Numbers – Over 26,000 Square Feet of Warehouse – We Ship Worldwide*

**DRAIN POCKET ADAPTER ( SUMP ) FLANGES**

**DRAIN POCKET (SUMP) ADAPTER FLANGES**


| DESCRIPTION, PART NUMBERS, & WEIGHT |          |             |     | DIMENSIONS |       |        |       |     |             |              |
|-------------------------------------|----------|-------------|-----|------------|-------|--------|-------|-----|-------------|--------------|
| Nom Size                            | Material | Part Number | Wt  | Thick-ness | I. D. | O. D.  | B.C.  | C   | No of Holes | Dia of Holes |
| 3                                   | Steel    | 10096A      | 1.6 | .1345      | 3 3/4 | 7 3/4  | 6 1/2 | 3/4 | 6           | 9/16         |
|                                     | 316 SS   | SS 10096 B  | 1.6 | .1345      |       |        |       |     |             |              |
|                                     | Aluminum | A 20516     | 1.2 | 9/16       |       |        |       |     |             |              |
| 4                                   | Steel    | 10491 A     | 2.0 | .1345      | 4 3/4 | 8 3/4  | 7 1/2 | 7/8 | 8           | 9/16         |
|                                     | 316 SS   | SS 10491 B  | 2.0 | .1345      |       |        |       |     |             |              |
|                                     | Aluminum | A 10548 A   | 1.4 | 9/16       |       |        |       |     |             |              |
| 6                                   | Steel    | 11242 A     | 2.7 | .1345      | 6     | 10 3/4 | 9 1/2 | 7/8 | 12          | 9/16         |
|                                     | 316 SS   | SS 11242 A  | 2.7 | .1345      |       |        |       |     |             |              |
|                                     | Aluminum | 11240       | 2.5 | 1          |       |        |       |     |             |              |

Note : A 20516, A2051601 are hexagons, 6 1/2" across flats.

**DRAIN POCKET (SUMP) ADAPTER FLANGES - BLIND**

| DESCRIPTION, PART NUMBERS, & WEIGHT |          |              |     | DIMENSIONS |       |       |     |             |              |
|-------------------------------------|----------|--------------|-----|------------|-------|-------|-----|-------------|--------------|
| Nom Size                            | Material | Part Number  | Wt  | Thick-ness | O.D.  | B.C.  | C   | No of Holes | Dia of Holes |
| 3                                   | Steel    | 10096A01     | 1.6 | .1345      | 7 3/4 | 6 1/2 | 3/4 | 6           | 9/16         |
|                                     | 316 SS   | SS 10096 B01 | 1.6 | .1345      |       |       |     |             |              |
|                                     | Aluminum | A 2051601    | 1.2 | 9/16       |       |       |     |             |              |
| 4                                   | Steel    | 10491 A01    | 2.0 | .1345      | 8 3/4 | 7 1/2 | 7/8 | 8           | 9/16         |
|                                     | 316 SS   | SS 10491 B01 | 2.0 | .1345      |       |       |     |             |              |
|                                     | Aluminum | A 10548 A01  | 1.4 | 9/16       |       |       |     |             |              |

All adapter flanges fit standard drain pockets (sumps) made to TTMA Recommendations.

 **ALLEGHENY COUPLING CO., WARREN, PA. 16365**

**800-677-3711**

Signal Hill, (L.A.) CA

(562) 490-0030 • Fax (562) 490-0091

West Sacramento, CA

(916) 371-1622 • Fax (916) 371-4792

Dallas/Fort Worth, TX

(817) 740-8077 • (817) 740-1332

Portland, OR

(503) 221-0335 • Fax (503) 221-0911

[www.tankparts.com](http://www.tankparts.com)